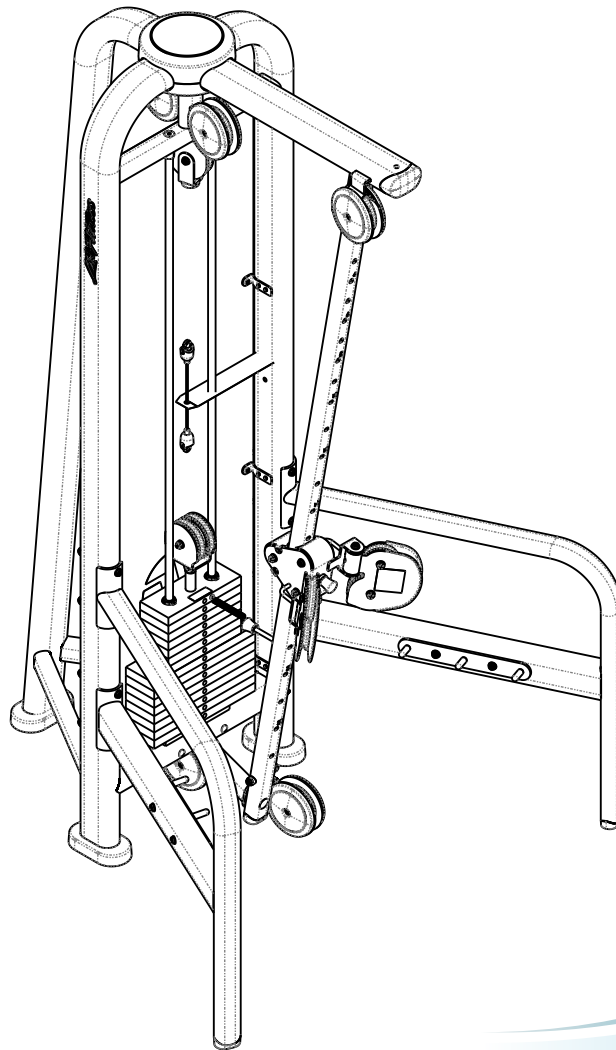


Signature Series Cable Motion Cable Column CMCC

SERIAL NUMBER CMCC0908005 & UP

Parts List



LifeFitness
WHAT WE LIVE FOR

CMCC CABLE COLUMN CONTENTS

FRAME AND UPHOLSTERY COLORS..... 3

COMPONENT ASSEMBLY..... 4

CMCC FRAME ASSEMBLY..... 5

CMCC FRAME ASSEMBLY LEGEND..... 6

RIGHT HAND OUTRIGGER ASSEMBLY..... 7

CMCC CARRIAGE ASSEMBLY..... 8

LEFT HAND OUTRIGGER ASSEMBLY..... 9

STACK PULLEY ASSEMBLY..... 10

190 LB. WEIGHT STACK ASSEMBLY..... 11

SPORT BAR ASSEMBLY..... 12

ACCESSORIES..... 13

OPTIONAL FRONT SHROUD KIT..... 14

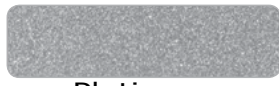
OPTIONAL SHROUD WRAPS..... 15

CABLE ROUTING..... 16

IMAGE..... 17

CMCC CABLE COLUMN FRAME AND UPHOLSTERY COLORS

Strength Frame Colors



Platinum



White



Black



Ice Blue Metallic



Midnight Metallic



Nickel



Blue



Red



Yellow



Candy Apple Red

Note: Include frame color in pick-slip notes when ordering frame assemblies or weldments.

Strength Upholstery Colors



American Beauty Red 07



Azure 20



Black 01



Cranberry 04



Graphite 22



Hunter Green 13



Regimental Blue 14



Royal Blue 02



Slate 03



Wheat 21



Burgundy 29



Candy Apple Red 28



Chestnut 34



Concord 16



Crocus 19



Dove Gray 37



Emerald 27



Grotto 25



Gun Metal 39



Imperial Blue 33



Jade 26



Navy 32



Northwoods Green 05



Paprika 35



Plum 30



Putty 38



Space Blue 06



Suede 08



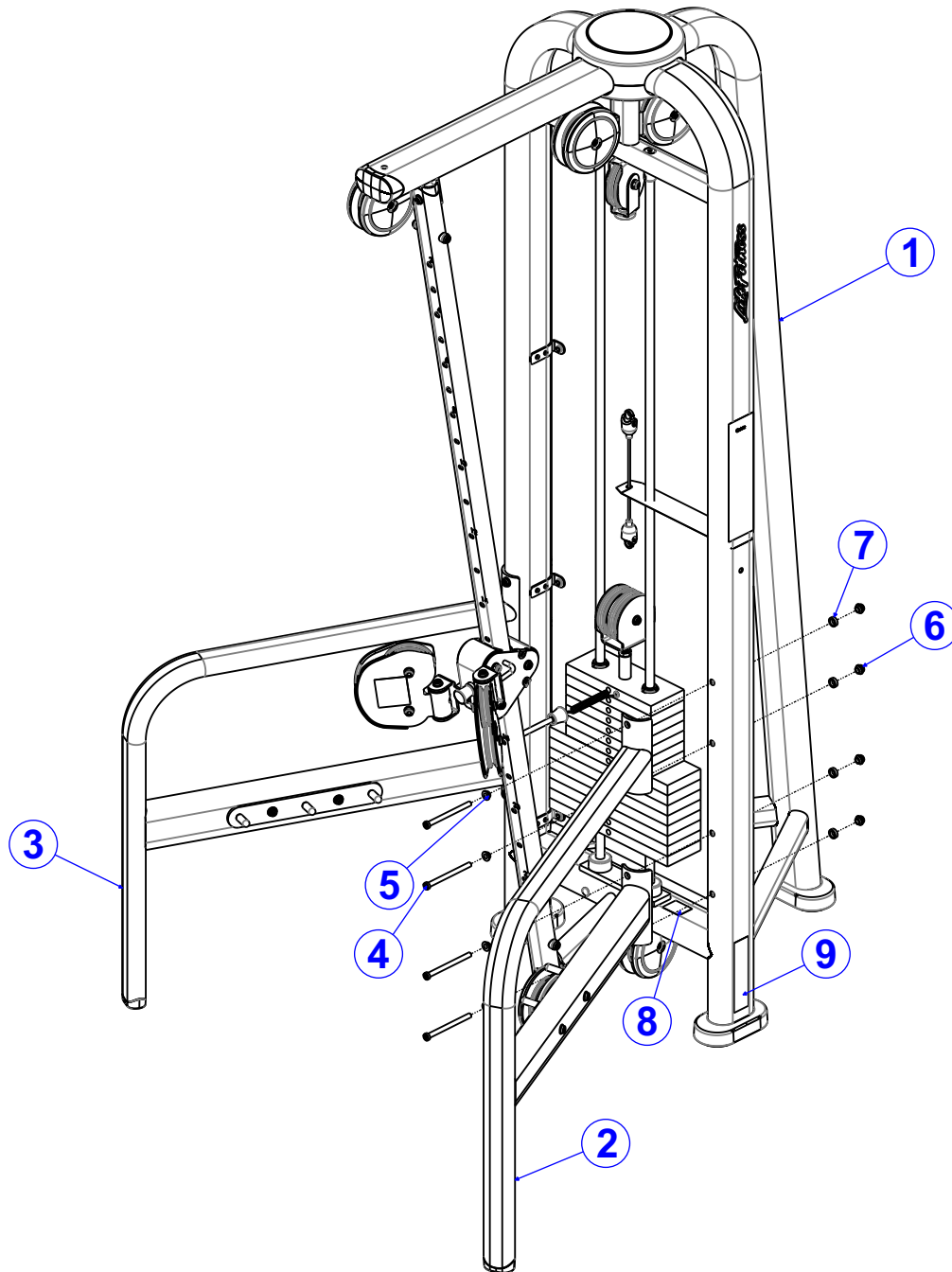
Terra Cotta 36



Turquoise 17

Note: Replace XX with above color suffix when ordering pads (ie. 74123XX = 7412301 Black)
Use 99 suffix for custom upholstery.

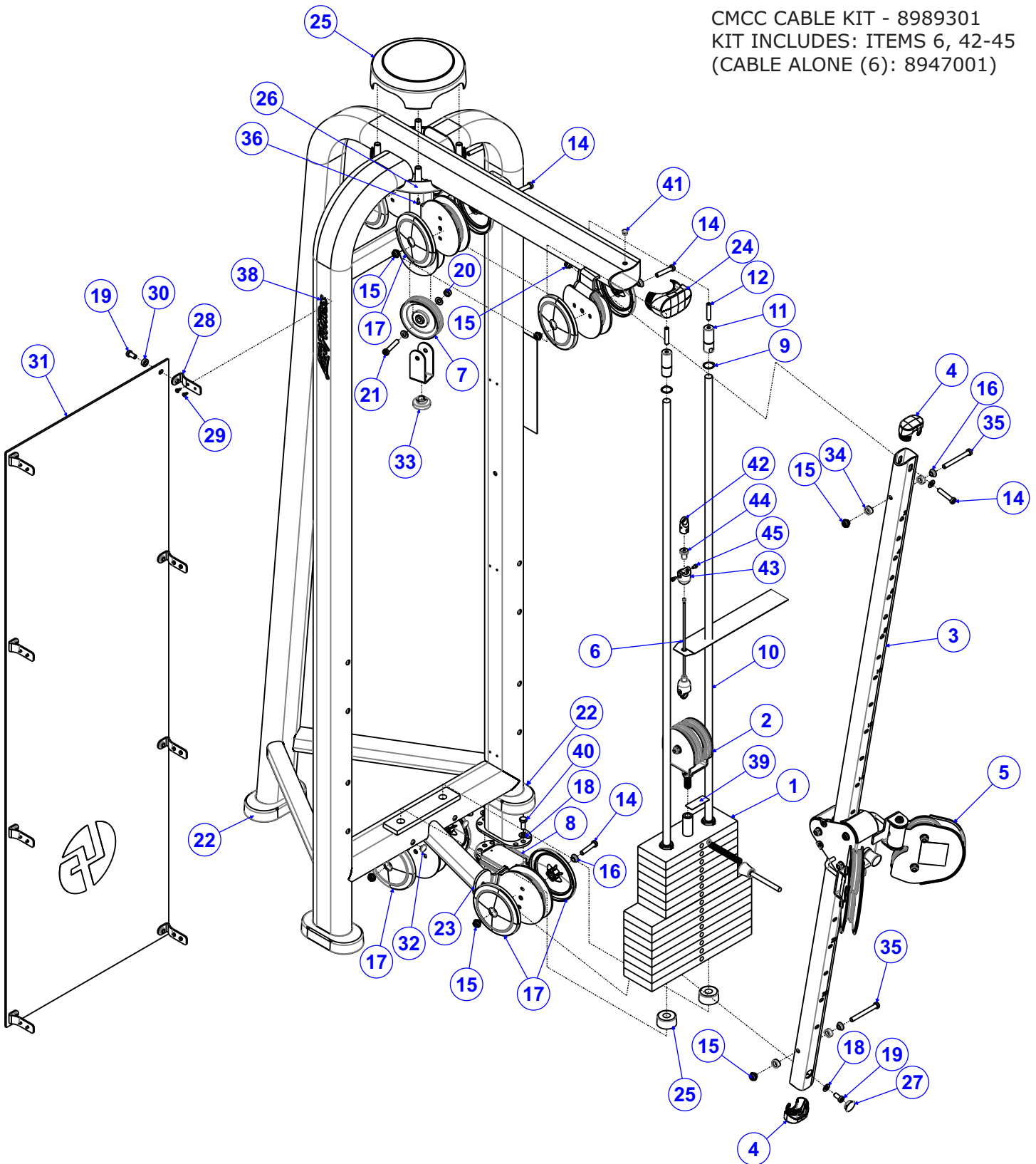
CMCC CABLE COLUMN COMPONENT ASSEMBLY



ITEM NO.	QTY.	PART NO.	DESCRIPTION	FRAME COLOR
1	1	7751001	ASSY, CMCC FRAME	ANY
2	1	7751101	ASSY, CMCC RH OUTRIGGER	ANY
3	1	7751201	ASSY, CMCC LH OUTRIGGER	ANY
4	8	3236220	M10 X 1.5 X 130 HXS SOC CS SS	-
5	8	7630101	RETAINER, CM/MJ, PULLEY	-
6	8	7335401	NUT, SOCKET HEAD M10 X 1.5 SS	-
7	8	7634701	SPACER, CM/MJ, .565 X .815	-
8	1	7571301	LABEL, SERIAL NUMBER CLASS S	-
9	1	7422004	LABEL, 2" ASTM WARNING	-

CMCC CABLE COLUMN CMCC FRAME ASSEMBLY - 7751001

CMCC CABLE KIT - 8989301
KIT INCLUDES: ITEMS 6, 42-45
(CABLE ALONE (6): 8947001)



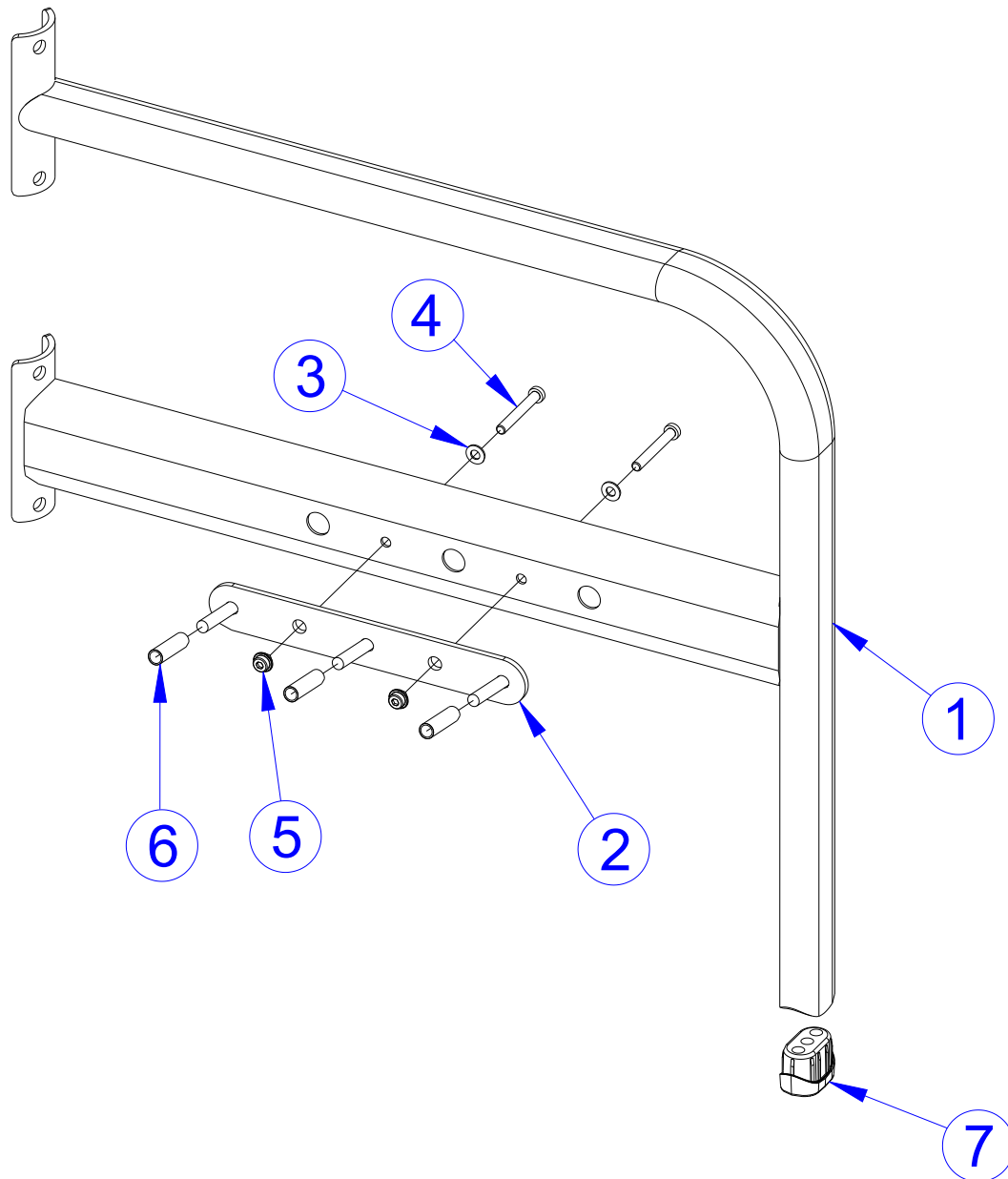
SEE PAGE 6 FOR LEGEND

CMCC CABLE COLUMN CMCC FRAME ASSEMBLY LEGEND

ITEM NO.	QTY.	PART NO.	DESCRIPTION
1	1	7647501	ASSY, 190LB STACK
2	1	1013492-0000	ASSEMBLY: FLOATING DBL PULLEY
3	1	1006480-0001	TUBE, CMCC ADJ COLUMN
4	2	7333801	CAP, SMALL FLOV- END
5	1	8347501	ASSY, CMCC CARRIAGE -GRAY KNOB
		8347503	ASSY, CMCC CARRIAGE - YELLOW KNOB
6	1	8989301	KIT, CMCC, CABLE (INCLUDES CABLE AND ENDS)
7	6	3237801	PULLEY, 1/4 IN CABLE (T3), 4.5 IN OD
8	3	7334001	FOOT, 2.50 X 4.49 FLOV
9	2	3232421	RING, BRE .940, 5100-100 ST PP B
10	2	7328618	GUIDE ROD, .75 OD SOLID 71.50
11	2	7634401	RETAINER, CM/MJ, GUIDEROD
12	2	3240502	M10 X 1.5 X 50 HXS NO CUP ST BO
13	2	7352101	CUSHION, WEIGHT STACK
14	6	3236207	SCREW, M10 X1.5 50MM
15	8	7335401	NUT, M10 X 1.5 SOCKET HEAD
16	7	7630101	RETAINER, CM/MJ PULLEY
17	10	7629901	COVER, PULLEY- BOLTED FULL
18	10	3236601	WASHER, 3/8 SAE SS
19	9	3236201	SCREW, M10 X1.5 20MM
20	1	3236801	NUT, M10 HEX NYLOCK SS
21	1	3236208	SCREW, M10 X1.5 55MM
22	3	7340201	COVER, FOOT - STRAIGHT
23	6	3254703	NUT, M10 X 1.5 HEX ZINC
24	1	7333901	CAP, LARGE FLOV- END
25	1	7629201	COVER, CENTER TOP
26	2	7629801	COVER, CENTER BOTTOM
27	1	3237403	PLUG, 1" HOLE
28	8	7642001	BRKT, CM/MJ, REAR SHROUD
29	16	3270601	SCREW, #10-32 X 3/8 TRX PAN ST BZ
30	8	7385201	SPACER, .406 X .750 X .250
31	1	8353201	SHROUD, CM/MJ REAR
32	4	7646801	PLUG, CURVED HOLE
33	1	7642301	BUMPER, CM/MJ, PLUG
34	4	7645501	SPACER, CM/MJ, SM FLOV CONCAVE
35	2	3236215	SCREW, M10 X1.5 90MM
36	4	3236501	M4 X 0.7 PHIL PAN MS ST ZN
37	1	1003313-0001	LABEL, PLACARD, MJ CABLE-ENGLISH
		1003313-0003	LABEL, PLACARD, MJ CABLE-FRENCH
		1003313-0004	LABEL, PLACARD, MJ CABLE-SPANISH
		1003313-0007	LABEL, PLACARD, MJ CABLE-JAPANESE
		1003313-0008	LABEL, PLACARD, MJ CABLE-PORTUGUESE
38	2	8866901	LABEL, LF LOGO 10" - FLAT
39	1	7744501	LABEL, WEIGHT AT HANDLE
40	6	3251202	SCREW, M10 X1.5 X 25MM UNS HEX CS ST ZN
41	1	3237401	PLUG, 7/16" HOLE
42	2	8943601	LINK, CM/MJ, CABLE END
43	2	8943701	HSNG, CM/MJ, CABLE END
44	2	8943801	INSERT, CM/MJ, CABLE END
45	4	3250002	M5 X 0.8 HXS SOC CS ST BZ X 8

CMCC CABLE COLUMN

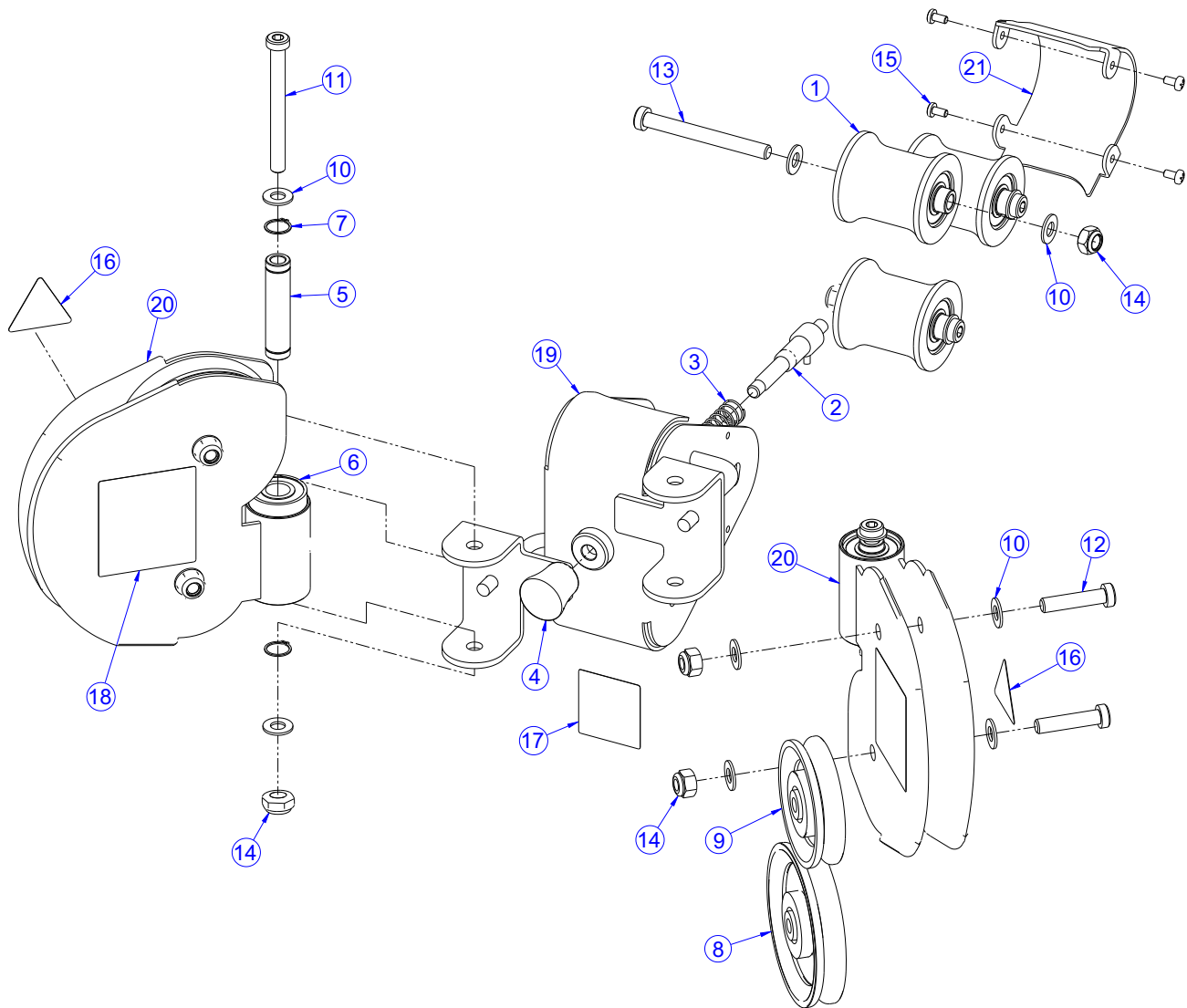
RIGHT HAND OUTRIGGER ASSEMBLY - 7751101



ITEM NO.	QTY.	PART NO.	DESCRIPTION	FRAME COLOR
1	1	7721701	WLDMT, CMCC RH OUTRIGGER	ANY
2	1	7644895	WLDMT, CM ACC RACK SHADOW GRAY	SG
3	2	3236601	WASHER, 3/8 SAE STAINLESS STEEL	-
4	2	3236212	M10 X 1.5 X 75 HXS SOC CS SS	-
5	2	7335401	NUT, SOCKET HEAD M10 X 1.5 SS	-
6	3	7749601	SLEEVE, .50" ID X 2.25"	-
7	1	7317901	STOP, BUMPER	-

CMCC CABLE COLUMN

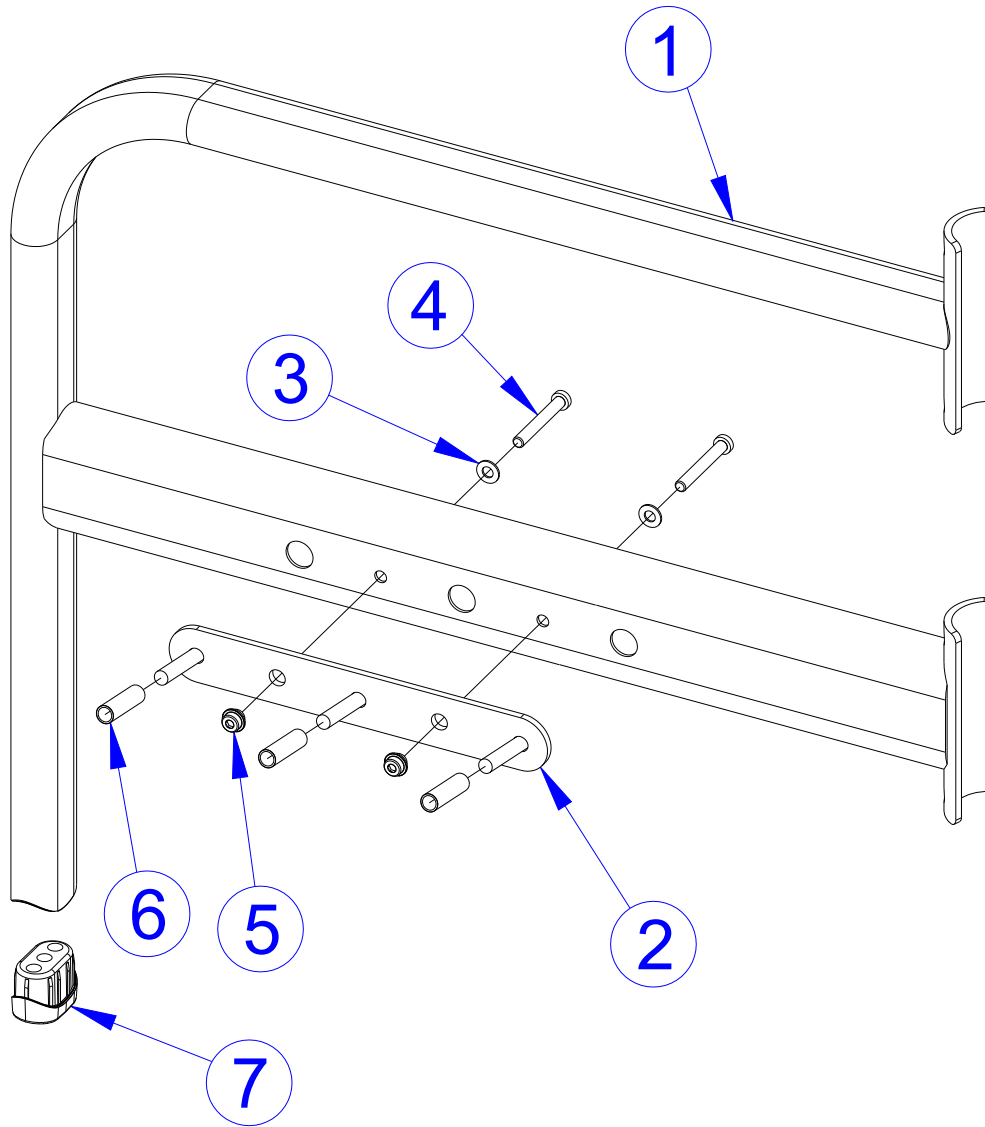
CMCC CARRIAGE ASSEMBLY - 83475XX



ITEM NO.	QTY.	PART NO.	DESCRIPTION	FRAME COLOR
1	3	7637901	ASSY, ROLLER-CONCAVE	-
2	1	8327901	ASSY, CM/MJ PULL PIN, BEVEL NOSE	-
3	1	7351501	SPRING, PULL PIN LARGE	-
4	1	7351401	KNOB, TULIP STYLE	-
		7424803	KNOB, POP PIN, YELLOW	-
5	2	7645401	SHAFT, CM/MJ, 6203 BRNG	-
6	4	3245901	BEARING, 6203	-
7	4	3232413	RING, BRE .631, 5100-66, ST PP B	-
8	2	3237801	PULLEY, 4.5" OD	-
9	2	3245701	PULLEY, 3.5" OD, 10MM ID SG	-
10	18	3236601	WASHER, 3/8 SAE SS	-
11	2	3236217	SCREW, M10 X1.5 100MM	-
12	4	3236206	SCREW, M10 X1.5 45MM	-
13	3	3236216	SCREW, M10 X1.5 95MM	-
14	9	3236801	NUT, M10 HEX NYLOCK SS	-
15	4	3239101	SCREW, M5X10 PHL PAN TT ST	-
16	2	8039501	LABEL, WARNING, TRIANGLE	-
17	1	88498XX	LABEL, WARNING ADJ. CARRIAGE	-
18	2	88497XX	LABEL, WARNING ADJ. CARRIAGE	-
19	1	8347601	WLDMT, CMCC CARRIAGE	ANY
20	2	7722001	WLDMT, CMCC SWIVEL PULLEY	ANY
21	1	7631801	BRKT, CM/MJ, CARRIAGE SHROUD	ANY

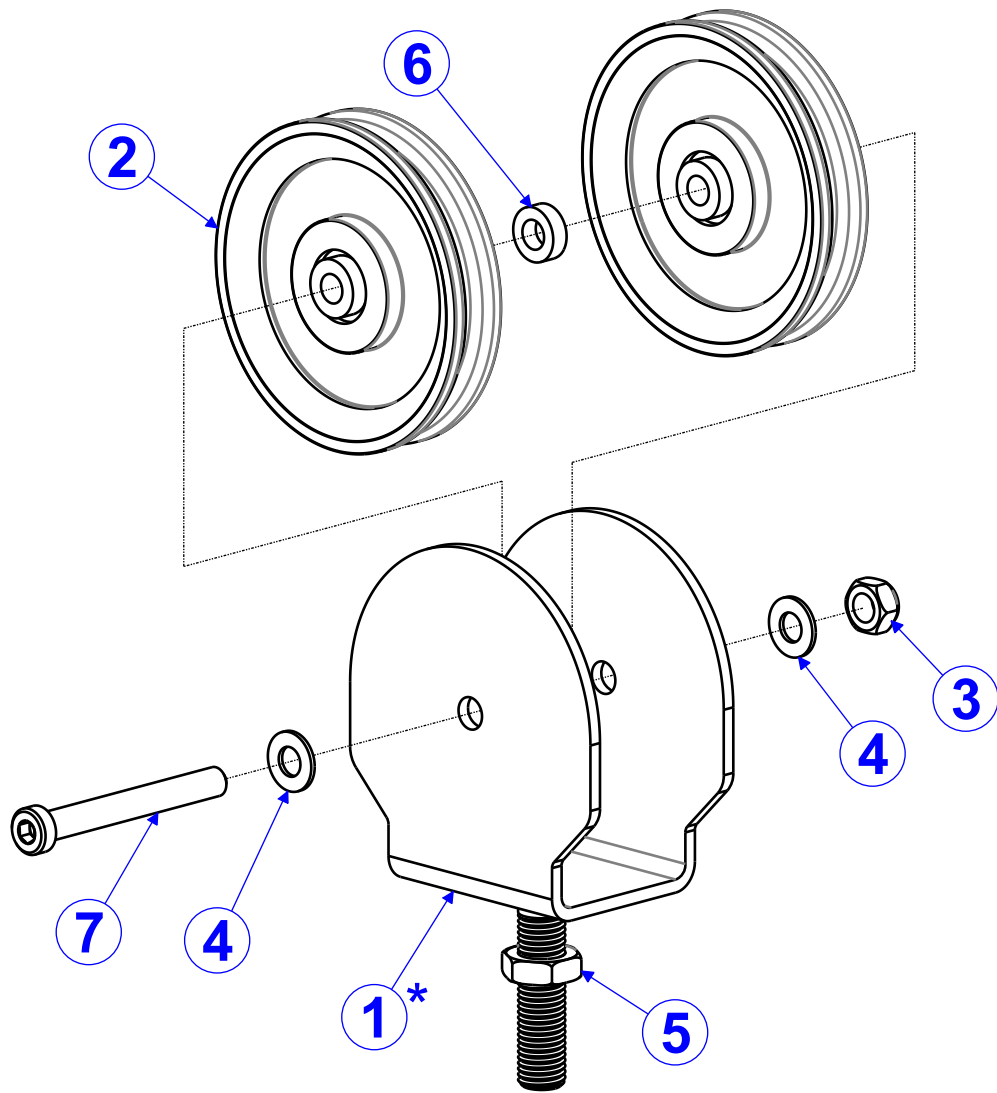
CMCC CABLE COLUMN

LEFT HAND OUTRIGGER ASSEMBLY - 7751201



ITEM NO.	QTY.	PART NO.	DESCRIPTION	FRAME COLOR
1	1	7721801	WLDMT, CMCC LH OUTRIGGER	ANY
2	1	7644895	WLDMT, CM ACC RACK SHADOW GRAY	SG
3	2	3236601	WASHER, 3/8 SAE STAINLESS STEEL	-
4	2	3236212	M10 X 1.5 X 75 HXS SOC CS SS	-
5	2	7335401	NUT, SOCKET HEAD M10 X 1.5 SS	-
6	3	7749601	SLEEVE, .50" ID X 2.25"	-
7	1	7317901	STOP, BUMPER	-

CMCC CABLE COLUMN STACK PULLEY ASSEMBLY - 1013492-9301



* If ordering Item 1, include Item 7 (qty. 1) and Items 4 (qty. 2)

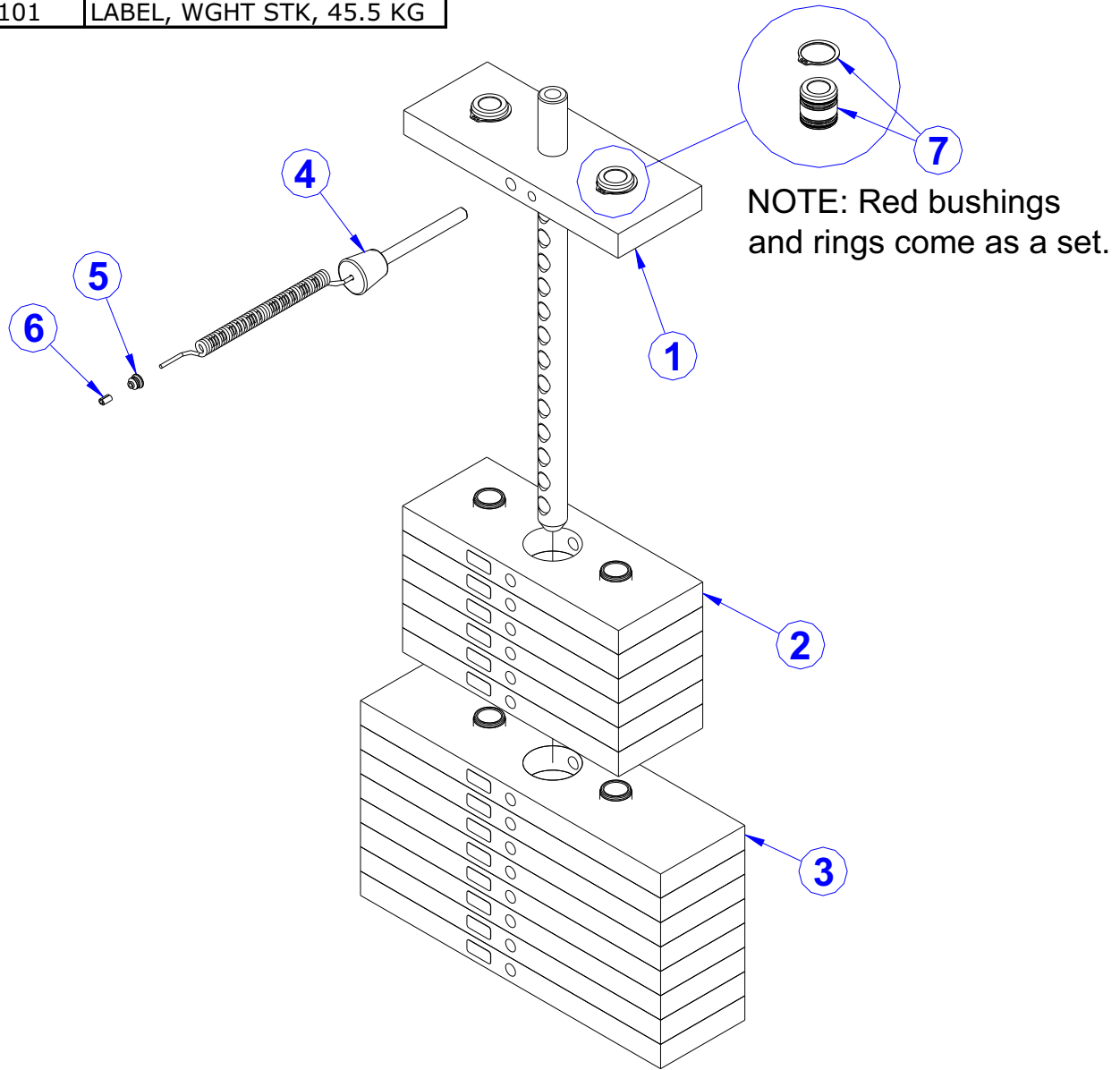
ITEM NO.	QTY.	PART NO.	DESCRIPTION
1	1	1012796-9301	WELDMENT: FLOATING DOUBLE PULLEY -HWG
2	2	3237801	PULLEY, 1/4 IN CABLE (T3), 4.5 IN OD
3	1	3236801	NUT, M10 HEX NYLOCK SS
4	2	3236601	WASHER, 3/8 SAE SS
5	1	3236902	NUT, HEX JAM M16 X 2 SS
6	1	7385201	SPACER, .406 X .750 X .250
7	1	3236214	SCREW, M10 X1.5 85MM

CMCC CABLE COLUMN

190 LB. WEIGHT STACK ASSEMBLY - 7647501

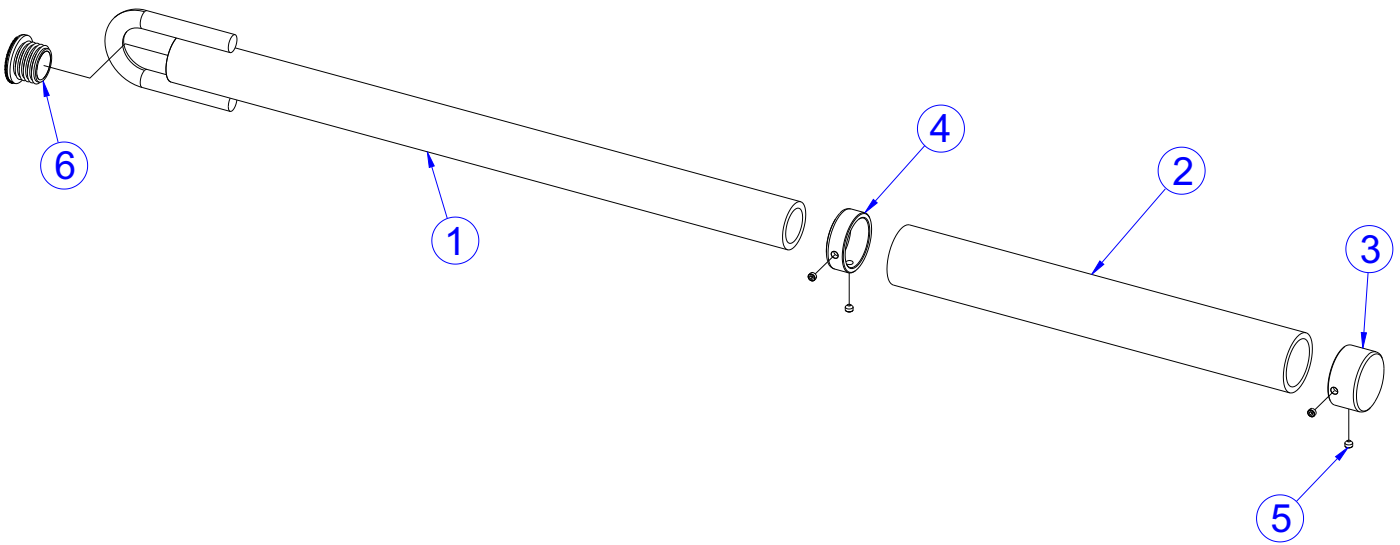
WEIGHT PLATE LABELS

PART NO.	DESCRIPTION
8068901	LABEL, WGHT STK, 95 LBS
8069101	LABEL, WGHT STK, 45.5 KG



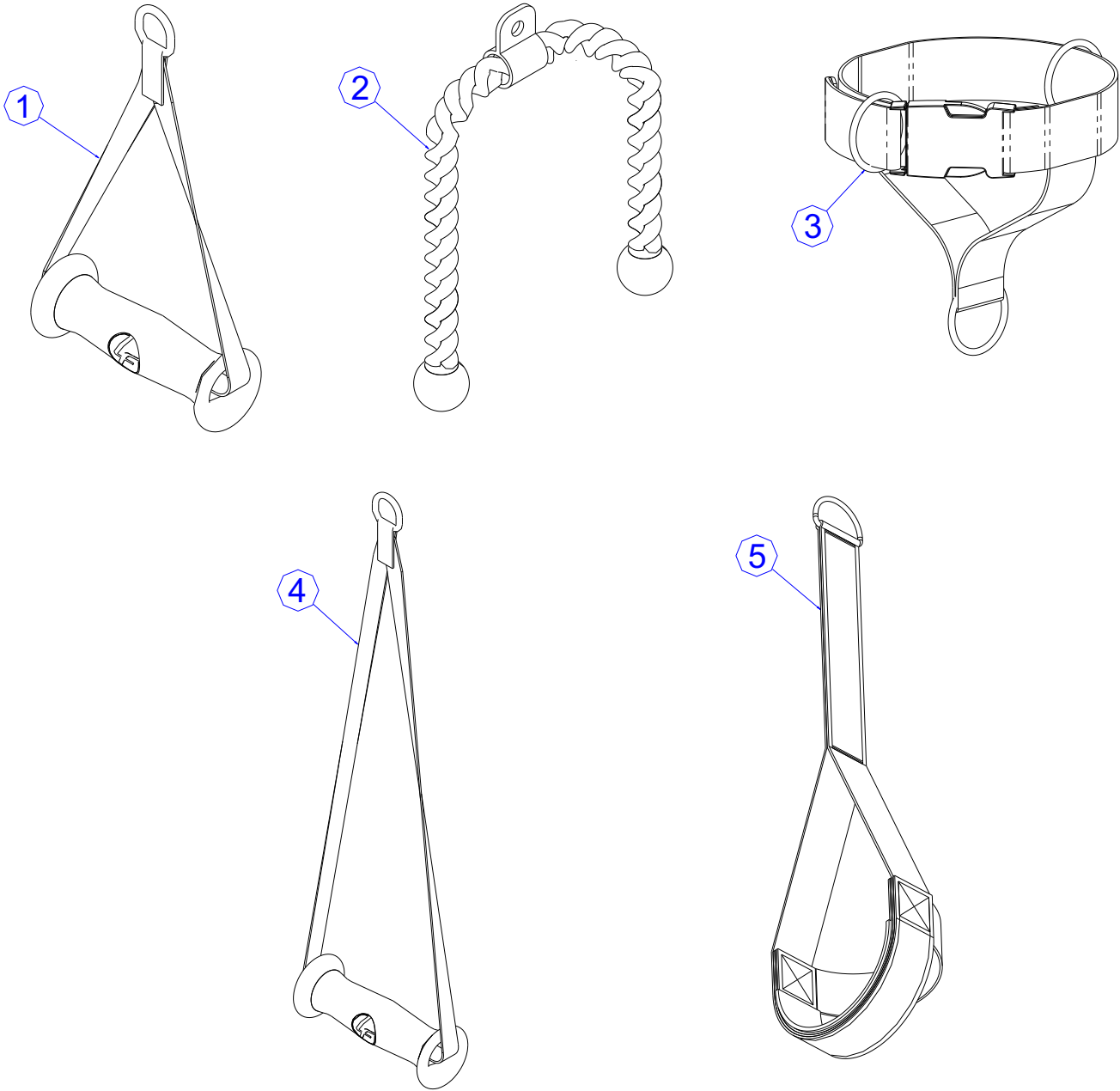
ITEM NO.	QTY.	PART NO.	DESCRIPTION
1	1	8920101	14 HOLE HEAD PLATE/BAYONET SER. KIT ASSY
2	6	7353701	ASSY, 10 LB PLATE
3	8	7353801	ASSY, 15 LB PLATE
4	1	7353001	ASSY, SELECTOR PIN
		8981903	ASSY, WT STACK SELECTOR PIN, SRT - YELLOW
5	1	7356501	PLUG, LANYARD ATTACHMENT
6	1	7523601	CRIMP, CABLE
7	2	7338001	BUSHING, HEADPLATE

CMCC CABLE COLUMN SPORT BAR ASSEMBLY - 7753201



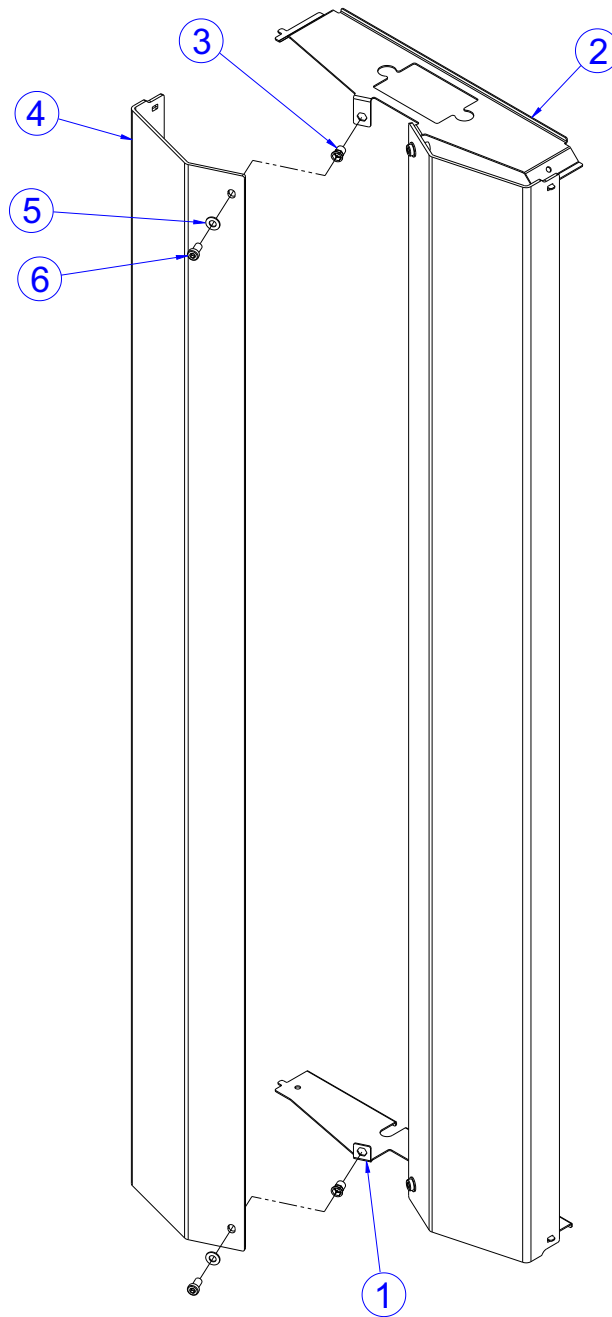
ITEM NO.	QTY.	PART NO.	DESCRIPTION	FRAME COLOR
1	1	7760395	WLDMT, SPORT BAR	SG
2	1	3235801	GRIP, 1.25 OD X .125 WALL OPEN END	-
3	1	7662801	RING, GRIP 1.25 OD	-
4	1	7662901	CAP, GRIP 1.25 OD	-
5	4	3247701	M4 X .7 HXS NO CUP ST BO	-
6	1	3119304	CAP, END 1 DIA RD 10-12GA	-

CMCC CABLE COLUMN ACCESSORIES



ITEM NO.	QTY.	PART NO.	DESCRIPTION
1	2	8219601	HANDLE, CM/MJ, SHORT STRAP
2	1	6851501	ROPE, TRICEP
3	1	7734701	STRAP, 4-WAY ANKLE
4	2	8219701	HANDLE, CM/MJ, LONG STRAP
5	1	7753001	LE/LC STRAP

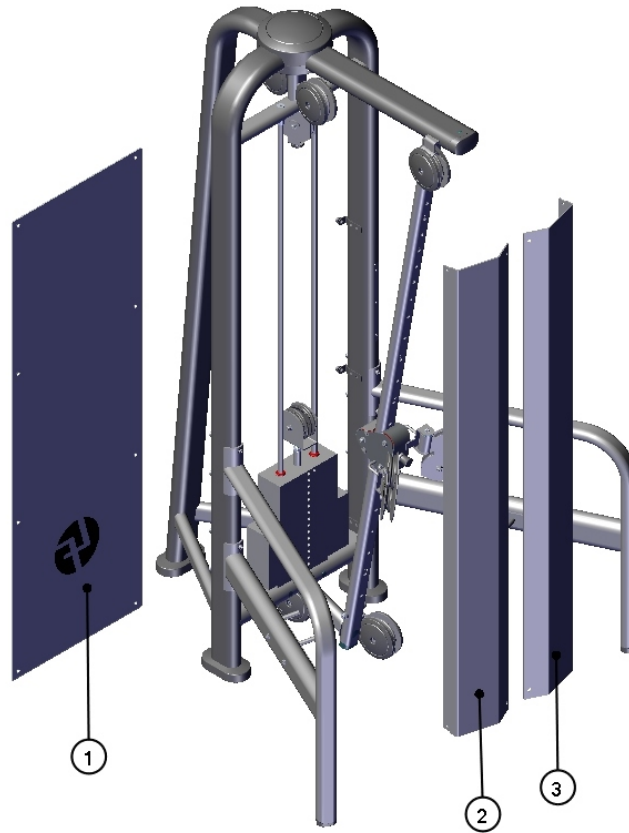
CMCC CABLE COLUMN OPTIONAL FRONT SHROUD KIT - 7766801

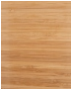







ITEM NO.	QTY.	PART NO.	DESCRIPTION	FRAME COLOR
1	1	7763695	BRKT, SHROUD, CM/MJ BOTTOM SG	SG
2	1	7763895	BRKT, SHROUD, CMCC TOP SG	SG
3	4	3238601	M10X1.5 BLIND THRD INSERT(HEX)	-
4	2	7634001	SHROUD, CM/MJ FRONT	-
5	4	3236601	WASHER, 3/8 SAE STAINLESS STEEL	-
6	4	3236201	M10 X 1.5 X 20 HXS SOC CS SS	-

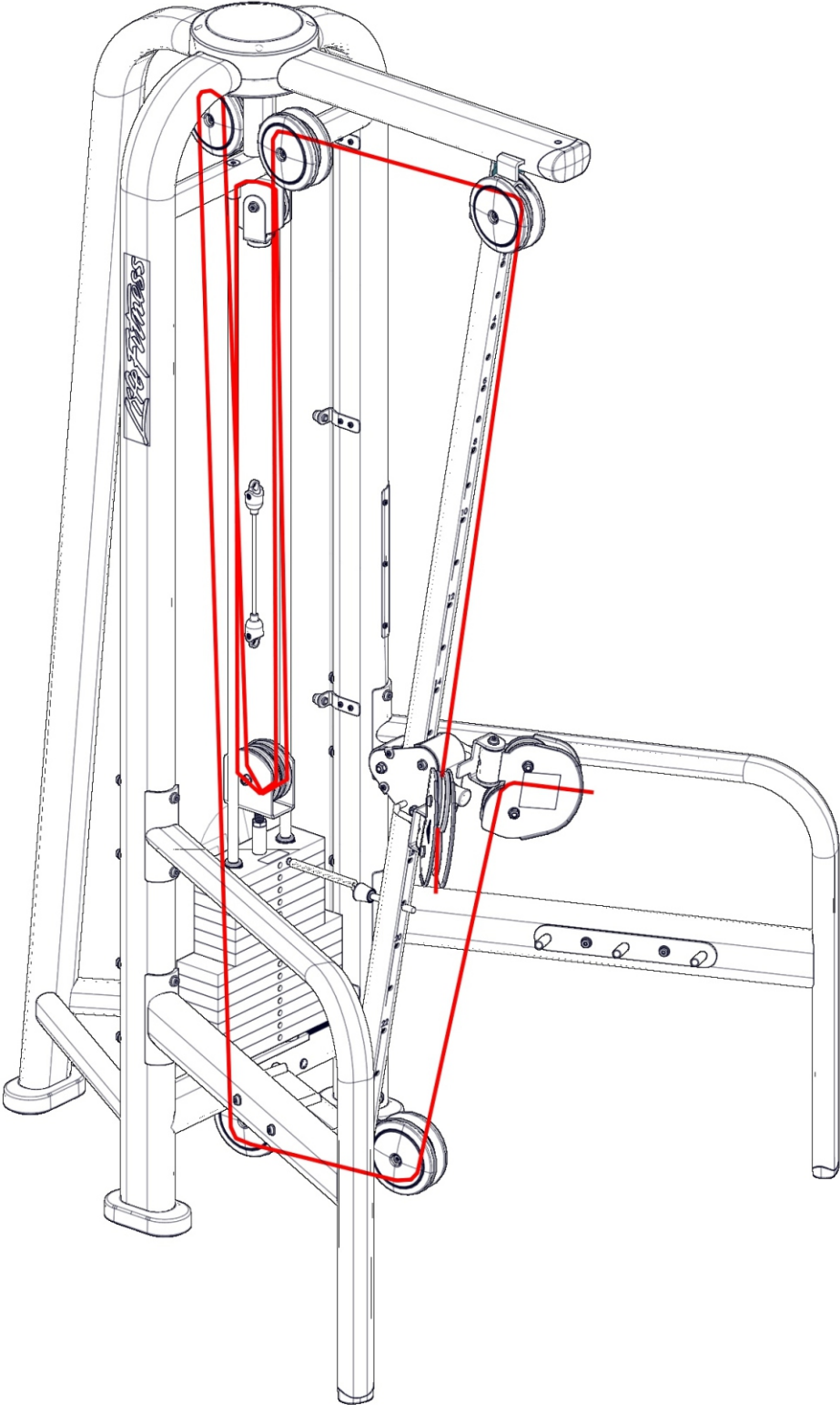
CMCC CABLE COLUMN

OPTIONAL SHROUD STACKWRAPS (SHROUD + WRAP)



	ITEM NO.	QTY.	PART NO.	DESCRIPTION
	1	1	8951401	SHROUD, CM/MJ, REAR -BAMBOO
	2	1	8954801	SHROUD, CM/MJ, FNT, LT -BAMBOO
	3	1	8951501	SHROUD, CM/MJ, FNT, RT -BAMBOO
	1	1	8951801	SHROUD, CM/MJ, REAR -BRONZE
	2	1	8955001	SHROUD, CM/MJ, FNT, LT -BRONZE
	3	1	8951901	SHROUD, CM/MJ, FNT, RT -BRONZE
	1	1	8952201	SHROUD, CM/MJ, REAR -ROSEWOOD
	2	1	8955201	SHROUD, CM/MJ, FNT, LT -ROSEWOOD
	3	1	8952301	SHROUD, CM/MJ, FNT, RT -ROSEWOOD
	1	1	8952401	SHROUD, CM/MJ, REAR -STAINLESS STEEL
	2	1	8955301	SHROUD, CM/MJ, FNT, LT -STAINLESS STEEL
	3	1	8952501	SHROUD, CM/MJ, FNT, RT -STAINLESS STEEL
	1	1	8951602	SHROUD, CM/MJ, RT TOWER, REAR -SKY
	2	1	8954901	SHROUD, CM/MJ, RT TOWER, FNT, LT -SKY
	3	1	8951701	SHROUD, CM/MJ, RT TOWER, FNT, RT -SKY
	1	1	8952001	SHROUD, CM/MJ, RT TOWER, REAR -STEM
	2	1	8955102	SHROUD, CM/MJ, RT TOWER, FNT, LT -STEM
	3	1	8952102	SHROUD, CM/MJ, RT TOWER, FNT, RT -STEM

CMCC CABLE COLUMN CABLE ROUTING



CMCC CABLE COLUMN IMAGE

