

LF Connect - Insignia, Axiom Kit

CK-PR1-101

Parts Manual

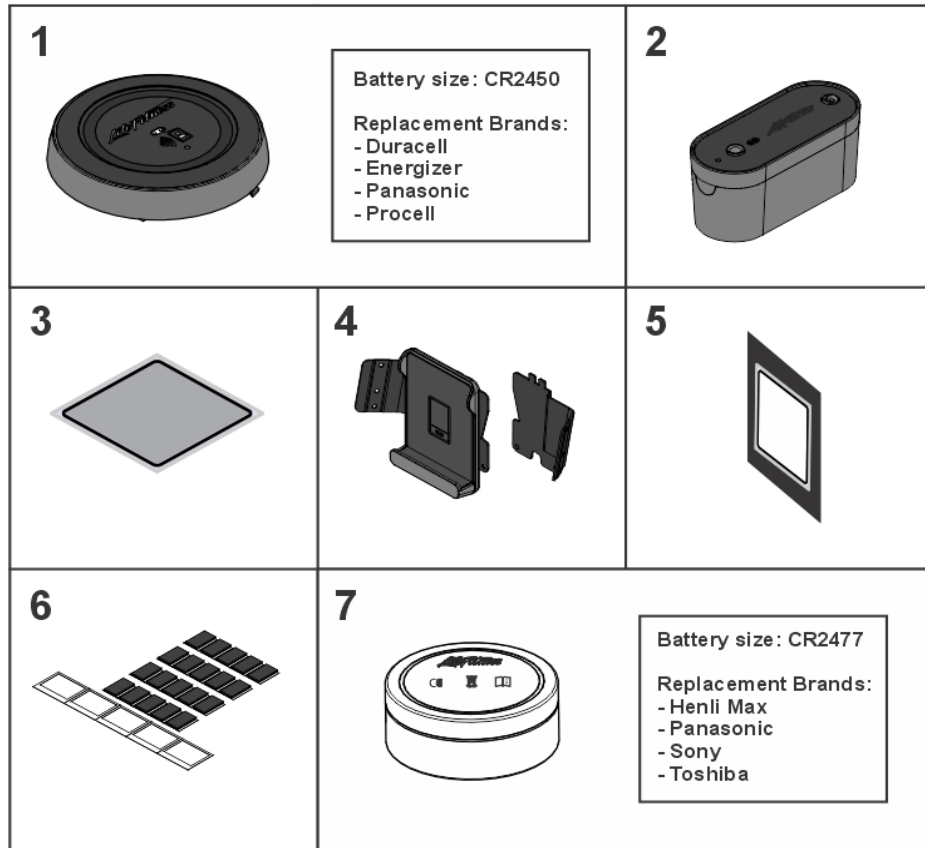
8/30/2024 16:47:42 PM



Table of Contents

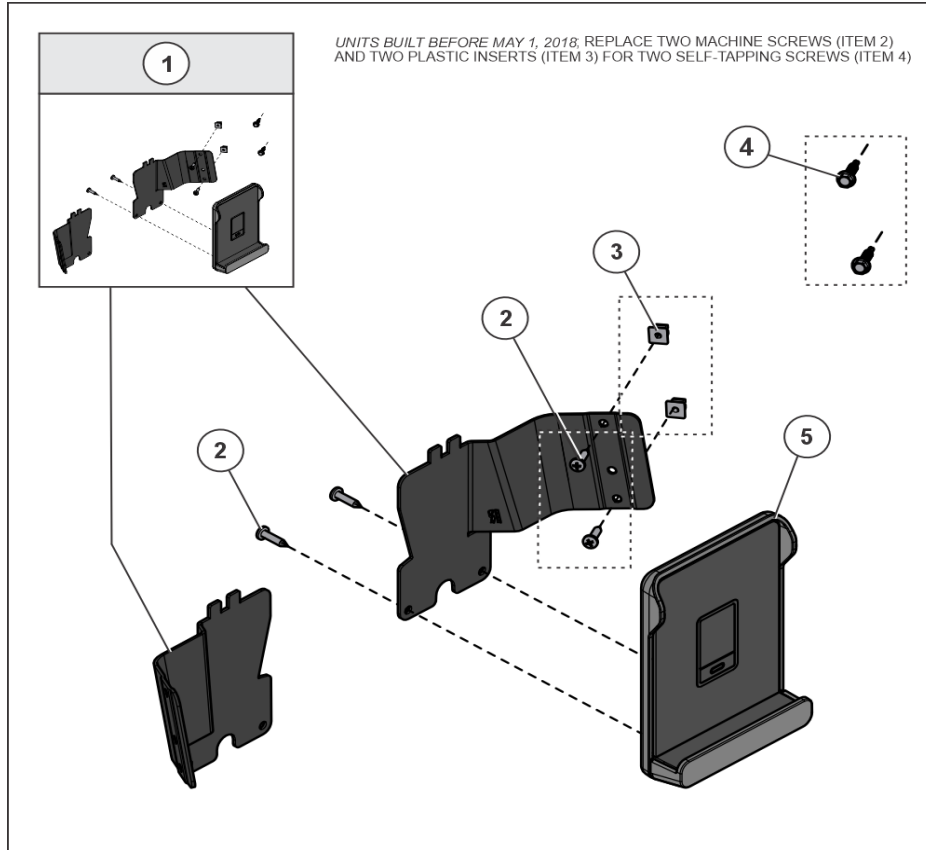
[LF Connect Components.....](#)3
[LF Connect Device Holder, Left-Right Set.....](#)4

LF Connect Components



Ref #	Part Number	Qty	Description
1	CK-PUC-102	1	LF Connect - Free Zone Kit
2	1024511-0001	1	NC ASSEMBLY: LF CONNECT, MAIN UNIT (SONY)
3	1023952-0001	1	TAPE: REFLECTOR FILM, M50X50
4	1025080-0001	1	KIT: DEVICE HOLDER, LEFT & RIGHT
5	1024142-0001	1	LABEL: LF CONNECT, REP COUNTER CVR
6	1025095-0001	1	KIT: SELF INTERLOCKING TAPE & WIPES
7	CK-BEA-101	1	LF Connect - Beacon

LF Connect Device Holder, Left-Right Set



Ref #	Part Number	Qty	Description
1	1025080-0001	1	KIT: DEVICE HOLDER, LEFT & RIGHT
2	3275801	4	SCREW, 8 X 3/4 DIN PHL PAN AB ST ZB
3	0017-00042-1147	2	GROMMET: SCREW, 8 OR 10
4	1018964-0001	2	SCREW: #8-18 X 3/4, SELF-DRILL, HWH, BZ
5	1016970-0001	1	SHELF: DEVICE HOLDER SUBSASSY

