

# INT RECUMBENT SMP SL ARC SIL NEO BASE

ASPR-SL-ASLXN-12

## Parts Manual

2/5/2024 20:21:52 PM

**Table of Contents**

---

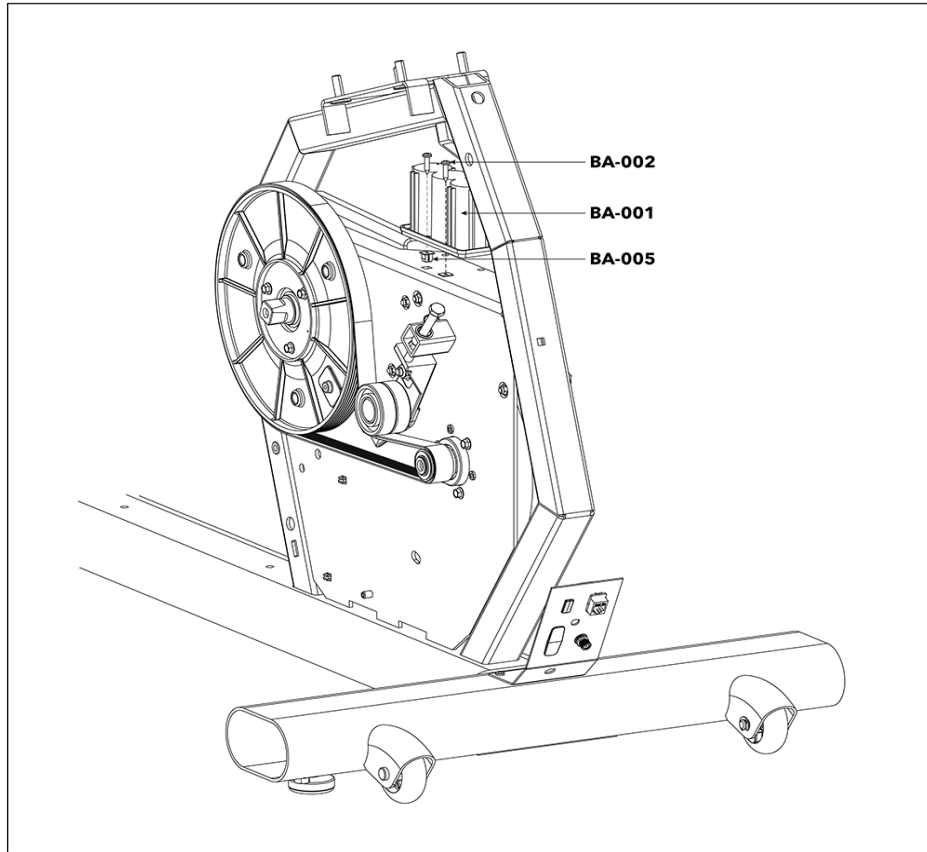
<a href="#">A Legend Description</a> .....	3
<a href="#">Battery</a> .....	4
<a href="#">Communication Port, Plugs, and PCB Assembly</a> .....	5
<a href="#">Cup Holders and Seat Bottom</a> .....	6
<a href="#">Drivetrain</a> .....	7
<a href="#">Front Roller and Leg Levelers</a> .....	8
<a href="#">Handlebars and Seat Mount Weldment</a> .....	9
<a href="#">Lift Assembly</a> .....	10
<a href="#">Main Shrouds and Crank Arms</a> .....	11
<a href="#">Monocolumn</a> .....	12
<a href="#">Pedals and Miscellaneous</a> .....	13
<a href="#">Power Cords</a> .....	14
<a href="#">Roller</a> .....	15
<a href="#">Seat Back</a> .....	16
<a href="#">Seat Carriage</a> .....	17
<a href="#">Seat Rail</a> .....	18
<a href="#">Wiring Diagram</a> .....	19

# A Legend Description

<p><b>Integrity Base Finished Good Example: INT-SSL-ASLHM-SW11AR</b></p> <table border="0"> <tr> <td><b>IN</b></td> <td><b>T</b></td> <td><b>S</b></td> <td><b>SL</b></td> <td><b>ASL</b></td> <td><b>H</b></td> <td><b>M</b></td> <td><b>SW</b></td> <td><b>11</b></td> <td><b>AR</b></td> </tr> <tr> <td>PRODUCT LINE: Integrity (IN) Club Series Plus (CS)</td> <td>BASE TYPE: Treadmill (T) Cross-Trainer (X) Recumbent Bike (R) Upright Bike (C)</td> <td>STYLE: Simple (S) Deluxe (D)</td> <td>CONSOLE CAPABILITY: Integrity SL (SL) Entertainment (E) Discover ST or SE3HD</td> <td>COLOR: Arctic Silver (ASL) Titanium (TTN) Black (BLK) Diamond White (DWT)</td> <td>VOLTAGE: High (H) Low (L)</td> <td>GENERATION: McFly (M) Legacy (X)</td> <td>SERVICE WHEEL</td> <td>REVISION</td> <td>LANGUAGE: Arabic (AR) English unless other language specified</td> </tr> </table>										<b>IN</b>	<b>T</b>	<b>S</b>	<b>SL</b>	<b>ASL</b>	<b>H</b>	<b>M</b>	<b>SW</b>	<b>11</b>	<b>AR</b>	PRODUCT LINE: Integrity (IN) Club Series Plus (CS)	BASE TYPE: Treadmill (T) Cross-Trainer (X) Recumbent Bike (R) Upright Bike (C)	STYLE: Simple (S) Deluxe (D)	CONSOLE CAPABILITY: Integrity SL (SL) Entertainment (E) Discover ST or SE3HD	COLOR: Arctic Silver (ASL) Titanium (TTN) Black (BLK) Diamond White (DWT)	VOLTAGE: High (H) Low (L)	GENERATION: McFly (M) Legacy (X)	SERVICE WHEEL	REVISION	LANGUAGE: Arabic (AR) English unless other language specified				
<b>IN</b>	<b>T</b>	<b>S</b>	<b>SL</b>	<b>ASL</b>	<b>H</b>	<b>M</b>	<b>SW</b>	<b>11</b>	<b>AR</b>																								
PRODUCT LINE: Integrity (IN) Club Series Plus (CS)	BASE TYPE: Treadmill (T) Cross-Trainer (X) Recumbent Bike (R) Upright Bike (C)	STYLE: Simple (S) Deluxe (D)	CONSOLE CAPABILITY: Integrity SL (SL) Entertainment (E) Discover ST or SE3HD	COLOR: Arctic Silver (ASL) Titanium (TTN) Black (BLK) Diamond White (DWT)	VOLTAGE: High (H) Low (L)	GENERATION: McFly (M) Legacy (X)	SERVICE WHEEL	REVISION	LANGUAGE: Arabic (AR) English unless other language specified																								
<p><b>Integrity Base Finished Good Example: INT-SST-ALLXX-11</b></p> <table border="0"> <tr> <td><b>IN</b></td> <td><b>T</b></td> <td><b>S</b></td> <td><b>ST</b></td> <td><b>ALL</b></td> <td><b>X</b></td> <td><b>11</b></td> </tr> <tr> <td>PRODUCT LINE: Integrity (IN) Club Series Plus (CS)</td> <td>BASE TYPE: Treadmill (T) Cross-Trainer (X) Upright Bike (C) Recumbent Bike (R)</td> <td>STYLE: Simple (S) Deluxe (D)</td> <td>CONSOLE CAPABILITY: Discover ST (ST) Discover SE3HD (SE) Integrity SL (SL)</td> <td>LANGUAGE: All Languages (ALL)</td> <td>VERSION: McFly (M) Legacy (X)</td> <td>REVISION</td> </tr> </table>					<b>IN</b>	<b>T</b>	<b>S</b>	<b>ST</b>	<b>ALL</b>	<b>X</b>	<b>11</b>	PRODUCT LINE: Integrity (IN) Club Series Plus (CS)	BASE TYPE: Treadmill (T) Cross-Trainer (X) Upright Bike (C) Recumbent Bike (R)	STYLE: Simple (S) Deluxe (D)	CONSOLE CAPABILITY: Discover ST (ST) Discover SE3HD (SE) Integrity SL (SL)	LANGUAGE: All Languages (ALL)	VERSION: McFly (M) Legacy (X)	REVISION	<p><b>LF Arc Base Finished Good Example: INTLS-ALLXX-7101</b></p> <table border="0"> <tr> <td><b>IN</b></td> <td><b>TLS</b></td> <td><b>ALL</b></td> <td><b>XX</b></td> <td><b>7101</b></td> </tr> <tr> <td>PRODUCT LINE: Integrity (IN)</td> <td>BASE TYPE: Advanced Base (AT) Basic Base (T) Total Body (TS) Lower Body (LS)</td> <td>STANDARD: No High or low voltage</td> <td>CONSOLE CAPABILITY: Integrity C/A (CX) Discover SE3HD/ST (XX) Integrity SL (XM)</td> <td>COLOR: Diamond White (7101) Titanium Storm (7201) Arctic Silver (5101) Black Onyx (7301) PF Purple (5801)</td> </tr> </table>					<b>IN</b>	<b>TLS</b>	<b>ALL</b>	<b>XX</b>	<b>7101</b>	PRODUCT LINE: Integrity (IN)	BASE TYPE: Advanced Base (AT) Basic Base (T) Total Body (TS) Lower Body (LS)	STANDARD: No High or low voltage	CONSOLE CAPABILITY: Integrity C/A (CX) Discover SE3HD/ST (XX) Integrity SL (XM)	COLOR: Diamond White (7101) Titanium Storm (7201) Arctic Silver (5101) Black Onyx (7301) PF Purple (5801)
<b>IN</b>	<b>T</b>	<b>S</b>	<b>ST</b>	<b>ALL</b>	<b>X</b>	<b>11</b>																											
PRODUCT LINE: Integrity (IN) Club Series Plus (CS)	BASE TYPE: Treadmill (T) Cross-Trainer (X) Upright Bike (C) Recumbent Bike (R)	STYLE: Simple (S) Deluxe (D)	CONSOLE CAPABILITY: Discover ST (ST) Discover SE3HD (SE) Integrity SL (SL)	LANGUAGE: All Languages (ALL)	VERSION: McFly (M) Legacy (X)	REVISION																											
<b>IN</b>	<b>TLS</b>	<b>ALL</b>	<b>XX</b>	<b>7101</b>																													
PRODUCT LINE: Integrity (IN)	BASE TYPE: Advanced Base (AT) Basic Base (T) Total Body (TS) Lower Body (LS)	STANDARD: No High or low voltage	CONSOLE CAPABILITY: Integrity C/A (CX) Discover SE3HD/ST (XX) Integrity SL (XM)	COLOR: Diamond White (7101) Titanium Storm (7201) Arctic Silver (5101) Black Onyx (7301) PF Purple (5801)																													
<p><b>Integrity Item Description Example: ARB INT TREAD SIMPLE SL ARC SIL HIGH VT SW BASE UK</b></p> <table border="0"> <tr> <td><b>ARB</b></td> <td><b>INT</b></td> <td><b>TREAD</b></td> <td><b>SIMPLE</b></td> <td><b>SL</b></td> <td><b>ARC SIL</b></td> <td><b>HIGH VT</b></td> <td><b>SW</b></td> <td><b>BASE</b></td> <td><b>UK</b></td> </tr> <tr> <td>LANGUAGE: Arabic (ARB) English unless other language specified</td> <td>PRODUCT LINE: Integrity (INT) Club Series Plus (CS)</td> <td>BASE TYPE: Treadmill (TREAD) Cross-Trainer (X / TT) Recumbent Bike (R / RB) Upright Bike (C / UB)</td> <td>STYLE: Simple (S) Deluxe (DLX)</td> <td>CONSOLE CAPABILITY: Integrity SL (SL) Discover ST or Discover SE3HD (DSC)</td> <td>COLOR: Arctic Silver (ARC SIL) Titanium (TTN) Black (BLK) Diamond White (DIA WHT)</td> <td>VOLTAGE: High (High VT) Low (Low VT)</td> <td>SERVICE WHEEL</td> <td>PRODUCT TYPE: Base</td> <td>LINE CORD: UK High Voltage (UK) Argentina (ARG) Domestic Low Voltage (DLV)</td> </tr> </table>										<b>ARB</b>	<b>INT</b>	<b>TREAD</b>	<b>SIMPLE</b>	<b>SL</b>	<b>ARC SIL</b>	<b>HIGH VT</b>	<b>SW</b>	<b>BASE</b>	<b>UK</b>	LANGUAGE: Arabic (ARB) English unless other language specified	PRODUCT LINE: Integrity (INT) Club Series Plus (CS)	BASE TYPE: Treadmill (TREAD) Cross-Trainer (X / TT) Recumbent Bike (R / RB) Upright Bike (C / UB)	STYLE: Simple (S) Deluxe (DLX)	CONSOLE CAPABILITY: Integrity SL (SL) Discover ST or Discover SE3HD (DSC)	COLOR: Arctic Silver (ARC SIL) Titanium (TTN) Black (BLK) Diamond White (DIA WHT)	VOLTAGE: High (High VT) Low (Low VT)	SERVICE WHEEL	PRODUCT TYPE: Base	LINE CORD: UK High Voltage (UK) Argentina (ARG) Domestic Low Voltage (DLV)				
<b>ARB</b>	<b>INT</b>	<b>TREAD</b>	<b>SIMPLE</b>	<b>SL</b>	<b>ARC SIL</b>	<b>HIGH VT</b>	<b>SW</b>	<b>BASE</b>	<b>UK</b>																								
LANGUAGE: Arabic (ARB) English unless other language specified	PRODUCT LINE: Integrity (INT) Club Series Plus (CS)	BASE TYPE: Treadmill (TREAD) Cross-Trainer (X / TT) Recumbent Bike (R / RB) Upright Bike (C / UB)	STYLE: Simple (S) Deluxe (DLX)	CONSOLE CAPABILITY: Integrity SL (SL) Discover ST or Discover SE3HD (DSC)	COLOR: Arctic Silver (ARC SIL) Titanium (TTN) Black (BLK) Diamond White (DIA WHT)	VOLTAGE: High (High VT) Low (Low VT)	SERVICE WHEEL	PRODUCT TYPE: Base	LINE CORD: UK High Voltage (UK) Argentina (ARG) Domestic Low Voltage (DLV)																								
<p><b>Aspire Base Finished Good Example: ASPT-ASLLN-12</b></p> <table border="0"> <tr> <td><b>ASP</b></td> <td><b>T</b></td> <td><b>ASL</b></td> <td><b>L</b></td> <td><b>N</b></td> <td><b>12</b></td> </tr> <tr> <td>PRODUCT LINE: Aspire (ASP)</td> <td>BASE TYPE: Treadmill (T) Cross-Trainer (X) Upright Bike (C) Recumbent Bike (R)</td> <td>COLOR: Arctic Silver (ASL) Charcoal (CGC)</td> <td>VOLTAGE: Low (L) High (H)</td> <td>VERSION: Neo (N)</td> <td>REVISION</td> </tr> </table>					<b>ASP</b>	<b>T</b>	<b>ASL</b>	<b>L</b>	<b>N</b>	<b>12</b>	PRODUCT LINE: Aspire (ASP)	BASE TYPE: Treadmill (T) Cross-Trainer (X) Upright Bike (C) Recumbent Bike (R)	COLOR: Arctic Silver (ASL) Charcoal (CGC)	VOLTAGE: Low (L) High (H)	VERSION: Neo (N)	REVISION	<p><b>SL Console Finished Good Example: SLA-CNSL-ENG-01</b></p> <table border="0"> <tr> <td><b>SL</b></td> <td><b>A</b></td> <td><b>CNSL</b></td> <td><b>ENG</b></td> <td><b>01</b></td> </tr> <tr> <td>CONSOLE TYPE: Integrity SL (SL)</td> <td>BASE TYPE: Arc (A) Tread (T) PowerBall (P) Cross-Trainer / Bikes (XB)</td> <td>Console (CNSL)</td> <td>LANGUAGE: Three character language abbreviation</td> <td>REVISION</td> </tr> </table>					<b>SL</b>	<b>A</b>	<b>CNSL</b>	<b>ENG</b>	<b>01</b>	CONSOLE TYPE: Integrity SL (SL)	BASE TYPE: Arc (A) Tread (T) PowerBall (P) Cross-Trainer / Bikes (XB)	Console (CNSL)	LANGUAGE: Three character language abbreviation	REVISION		
<b>ASP</b>	<b>T</b>	<b>ASL</b>	<b>L</b>	<b>N</b>	<b>12</b>																												
PRODUCT LINE: Aspire (ASP)	BASE TYPE: Treadmill (T) Cross-Trainer (X) Upright Bike (C) Recumbent Bike (R)	COLOR: Arctic Silver (ASL) Charcoal (CGC)	VOLTAGE: Low (L) High (H)	VERSION: Neo (N)	REVISION																												
<b>SL</b>	<b>A</b>	<b>CNSL</b>	<b>ENG</b>	<b>01</b>																													
CONSOLE TYPE: Integrity SL (SL)	BASE TYPE: Arc (A) Tread (T) PowerBall (P) Cross-Trainer / Bikes (XB)	Console (CNSL)	LANGUAGE: Three character language abbreviation	REVISION																													
<p><b>SE4 Console Finished Good Example: SE424T-EWXXP-01</b></p> <table border="0"> <tr> <td><b>SE4</b></td> <td><b>24</b></td> <td><b>T</b></td> <td><b>E</b></td> <td><b>W</b></td> <td><b>X</b></td> <td><b>X</b></td> <td><b>P</b></td> <td><b>01</b></td> </tr> <tr> <td>CONSOLE TYPE: Discover SE4 (SE4)</td> <td>CONSOLE SIZE: 24 16</td> <td>BASE TYPE: Tread (T) Non Tread (N)</td> <td>LANGUAGE (Warning Label) English (E) All (A)</td> <td>WIFI ENABLED: Wifi Enabled (W)</td> <td>NFC or RFD: NFC (X) RFD (R)</td> <td>PLACEHOLDER</td> <td>TUNER TYPE: PROIDIOM/DAM (P) DVBT2/DVB/C/DVBS/PAL/SECAM (D) ISBT/ATSC (S) STB/SYNC (I) ATSC/DAM/NTSC (A) (on SE4/SE3HD/ST only) PROIDIOM OVER ETHERNET (E) (on SE4 only)</td> <td>REVISION</td> </tr> </table>										<b>SE4</b>	<b>24</b>	<b>T</b>	<b>E</b>	<b>W</b>	<b>X</b>	<b>X</b>	<b>P</b>	<b>01</b>	CONSOLE TYPE: Discover SE4 (SE4)	CONSOLE SIZE: 24 16	BASE TYPE: Tread (T) Non Tread (N)	LANGUAGE (Warning Label) English (E) All (A)	WIFI ENABLED: Wifi Enabled (W)	NFC or RFD: NFC (X) RFD (R)	PLACEHOLDER	TUNER TYPE: PROIDIOM/DAM (P) DVBT2/DVB/C/DVBS/PAL/SECAM (D) ISBT/ATSC (S) STB/SYNC (I) ATSC/DAM/NTSC (A) (on SE4/SE3HD/ST only) PROIDIOM OVER ETHERNET (E) (on SE4 only)	REVISION						
<b>SE4</b>	<b>24</b>	<b>T</b>	<b>E</b>	<b>W</b>	<b>X</b>	<b>X</b>	<b>P</b>	<b>01</b>																									
CONSOLE TYPE: Discover SE4 (SE4)	CONSOLE SIZE: 24 16	BASE TYPE: Tread (T) Non Tread (N)	LANGUAGE (Warning Label) English (E) All (A)	WIFI ENABLED: Wifi Enabled (W)	NFC or RFD: NFC (X) RFD (R)	PLACEHOLDER	TUNER TYPE: PROIDIOM/DAM (P) DVBT2/DVB/C/DVBS/PAL/SECAM (D) ISBT/ATSC (S) STB/SYNC (I) ATSC/DAM/NTSC (A) (on SE4/SE3HD/ST only) PROIDIOM OVER ETHERNET (E) (on SE4 only)	REVISION																									

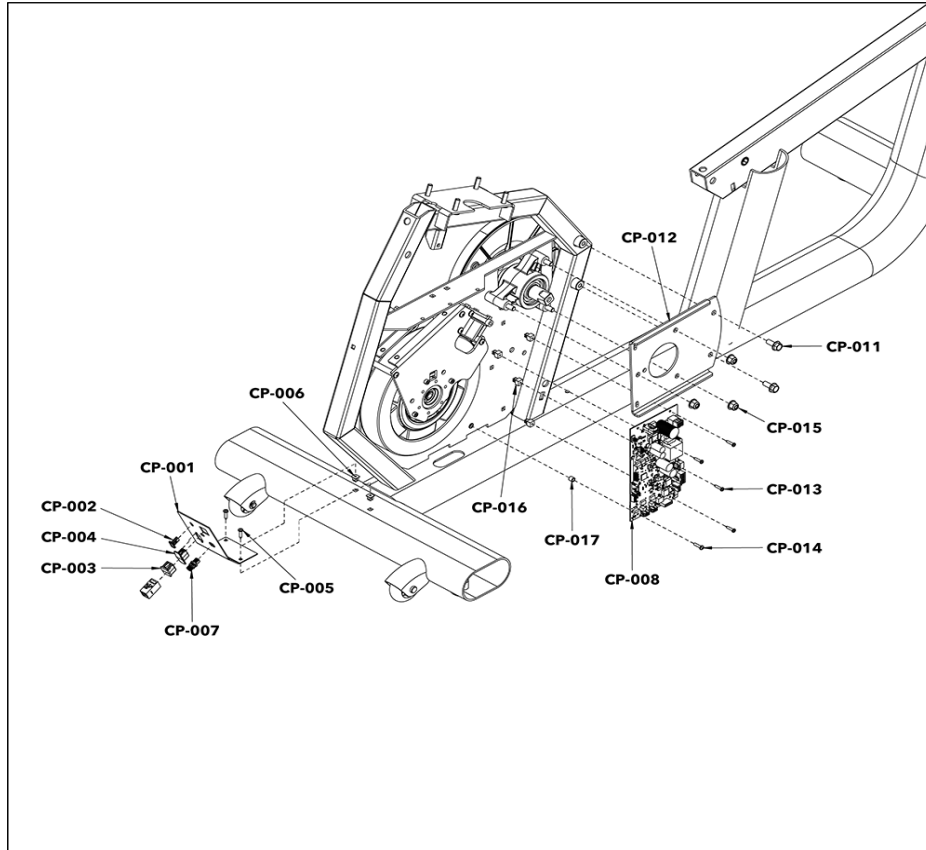
Ref #	Part Number	Qty	Description
-	LEGEND_DESCRIP TION	1	LEGEND DESCRIPTION

**Battery**



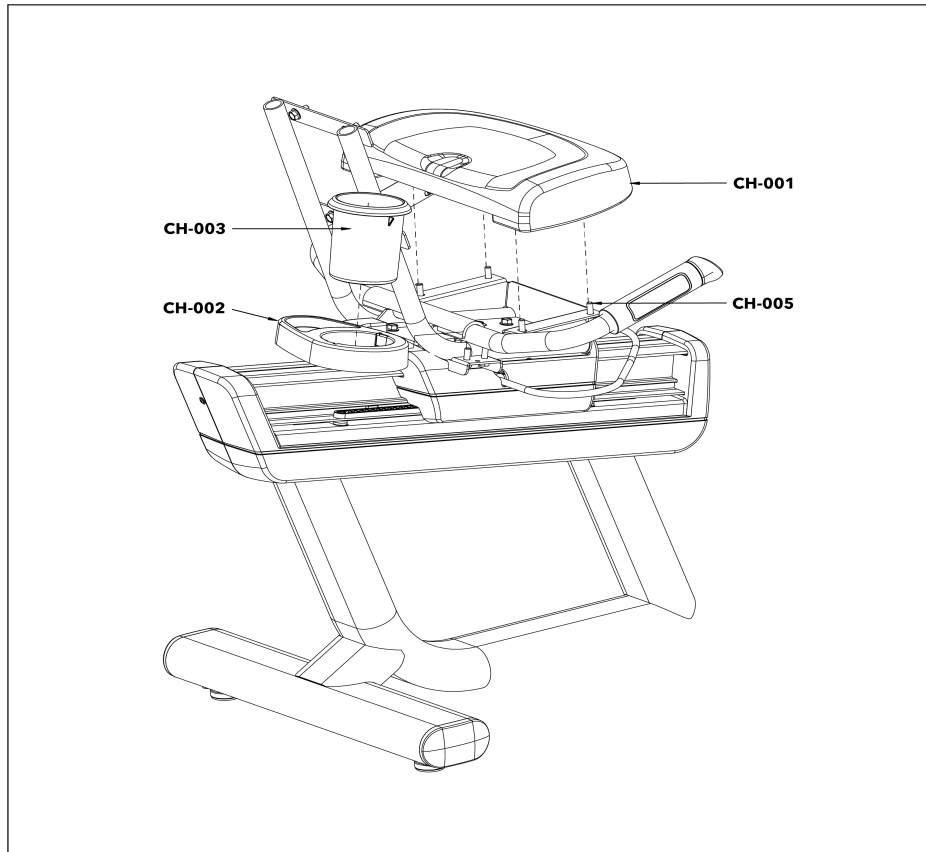
Ref #	Part Number	Qty	Description
BA-001	0017-00003-0685	1	BATTERY: 6 VOLT, 2.5AH C (0819-1006)
BA-002	0017-00101-1796	2	SCREW: M4.2 X 0.7 6G6G X 19, DIN, PHL, PAN, AB, ST, ZB
BA-003	0017-00042-1147	2	GROMMET: SCREW, 8 OR 10

## Communication Port, Plugs, and PCB Assembly



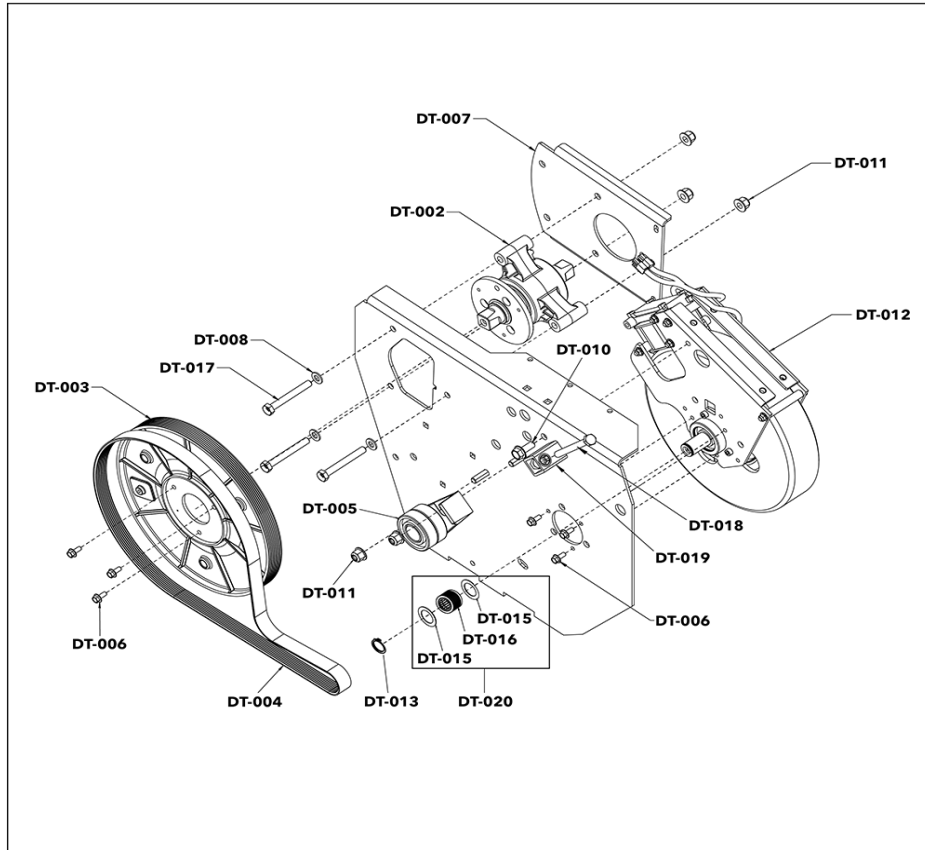
Ref #	Part Number	Qty	Description
CP-001	1001773-0001	1	BRACKET: COM-PORT, RECUMBENT
CP-002	1005470-0700	1	PLUG: IR PORT, BLACK
CP-003	1004601-0001	1	PLUG: RJ45 RECEPTACLE
CP-004	1005393-0700	1	PLUG: HDMI, BLACK
CP-005	0017-00101-1796	2	SCREW: M4.2 X 0.7 6G6G X 19, DIN, PHL, PAN, AB, ST, ZB
CP-006	0017-00042-1147	2	GROMMET: SCREW, 8 OR 10
CP-007	0017-00021-2846	1	CONNECTOR: COAX, PANEL MOUNT
CP-008	1015538-0011	1	PCB ASSY: RCB MCFLY
CP-011	0017-00101-2150	2	SCREW: M8 X 1.25 6G6H X 20, UHS, HXW, CS, ST, ZB
CP-012	1012890-0001	1	BRACKET: HUB BACKING
CP-013	0017-00101-1838	4	SCREW: M3.5 X 1.3 6G6G X 19, PHL, PAN, AB, ST, ZN
CP-014	0017-00101-1874	1	SCREW: M4 X 0.70-6G6G X 16, ISO, PHL, PAN, MS, ST, ZN
CP-015	1003388-0001	3	NUT: M8 X 1.25-6H, DIN, UNF, HEX, LOCKNUT
CP-016	0017-00042-0821	4	GROMMET: SCREW, #6
CP-017	1013169-0001	1	SPACER: M5.3 X 8 X 7, ALUMINUM

## Cup Holders and Seat Bottom



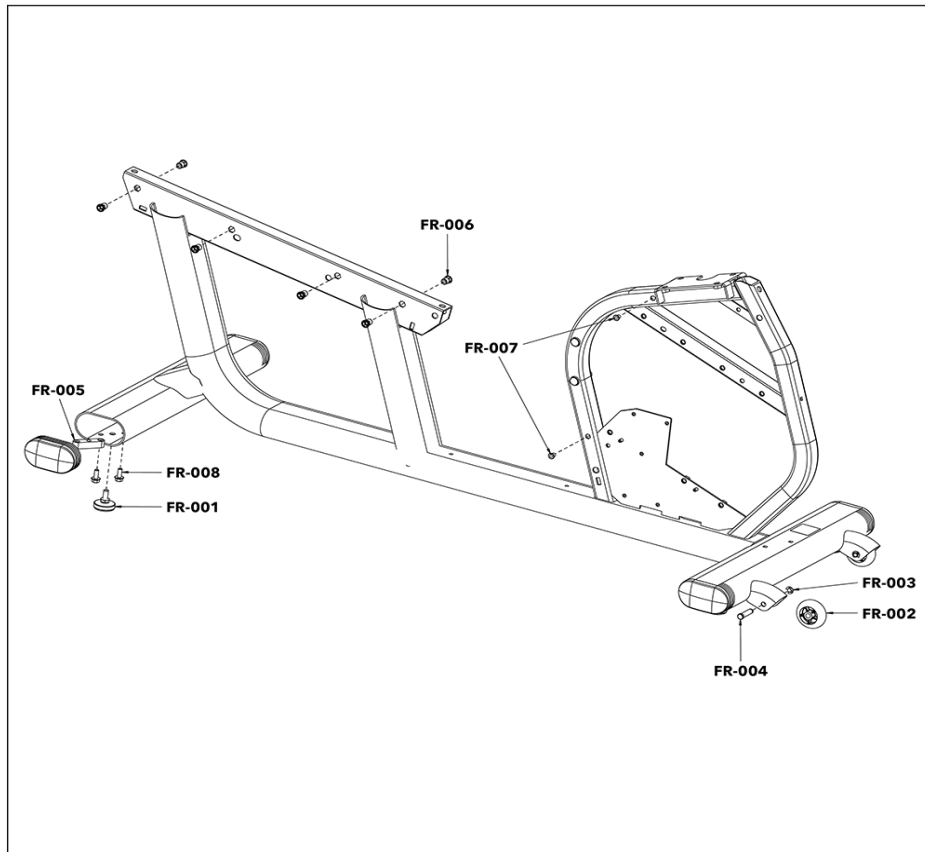
Ref #	Part Number	Qty	Description
CH-001	1005010-0700	1	SEAT: RECUMBENT BOTTOM, BLACK
CH-002	1002626-2400	1	SHROUD: CUP HOLDER, RETAINER, RIGHT, CHARCOAL GRAY
CH-003	1001034-2400	2	CUPHOLDER: LOCKING, CHARCOAL GRAY
CH-005	0017-00101-2150	8	SCREW: M8 X 1.25 6G6H X 20, UHS, HXW, CS, ST, ZB

# Drivetrain



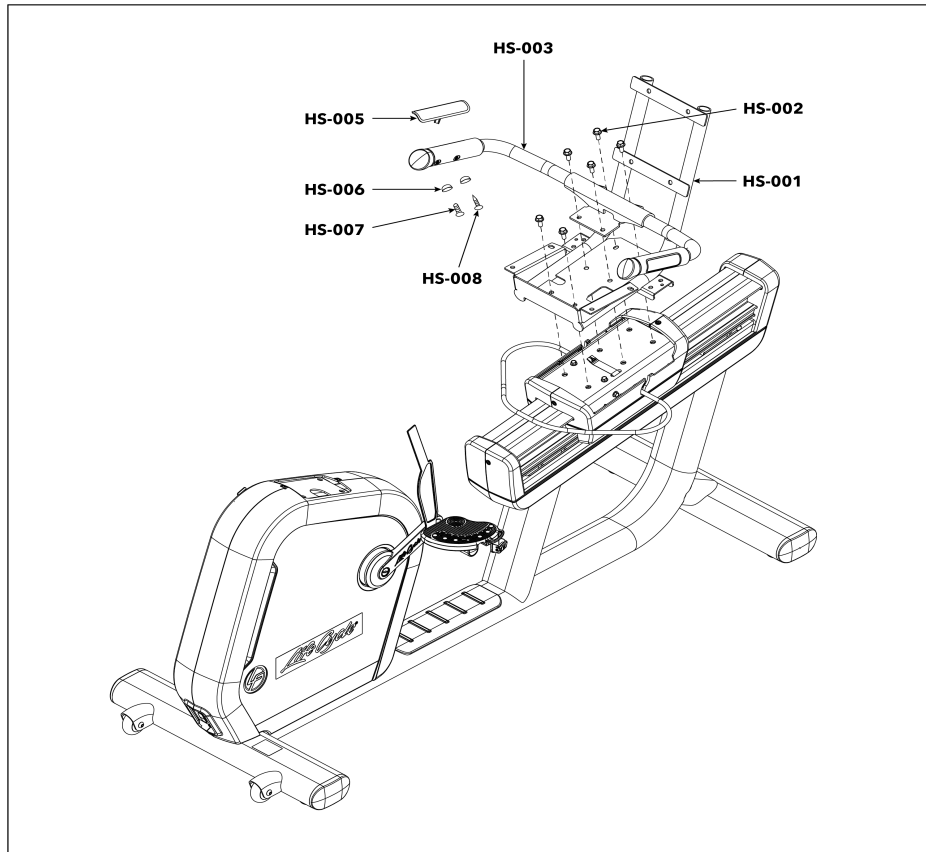
Ref #	Part Number	Qty	Description
DT-002	AK66-00151-0000	1	HUB ASSY: CRANKSHAFT, UNIPLATE
DT-003	1004280-0001	1	PULLEY: POLYV,J SECTION, 276MM PD
DT-004	1004288-0001	1	BELT: POLY V 460J8
DT-005	1017347-0001	1	ASSEMBLY: TENSIONER, IDLER
DT-006	0017-00101-2151	6	SCREW: M5 X 0.8 6G6G X 12, FLANGE, HEAD, CS, G5, CD
DT-007	1012890-0001	1	BRACKET: HUB BACKING
DT-008	0017-00104-0469	3	WASHER: M8.4 X 16.0 X 1.6, DIN, FLAT, ST, ZB
DT-010	0017-00101-2150	1	SCREW: M8 X 1.25 6G6H X 20, UHS, HXW, CS, ST, ZB
DT-011	1003388-0001	3	NUT: M8 X 1.25-6H, DIN, UNF, HEX, LOCKNUT
DT-012	1014174-0001	1	GENERATOR: BRAKE W/20MM EXT. CLUTCH
DT-013	0017-00100-0242	1	RING: M19.84, RETAINING, ST, 5101-98
DT-017	1013510-0001	3	SCREW: M8 X 1.25 - 6g X 65, HEX, ZN, CLASS 10.9
DT-018	0017-00101-1944	1	M8.0X1.25- 6G6GX80MM DIN UNS HEX CS G5 CD
DT-019	0017-00009-1191	1	INSERT: M8 X 6.6, THREADED, HEX
DT-020	1015424-0001	1	KIT: CLUTCH & SHEAVE, 20MM

## Front Roller and Leg Levelers



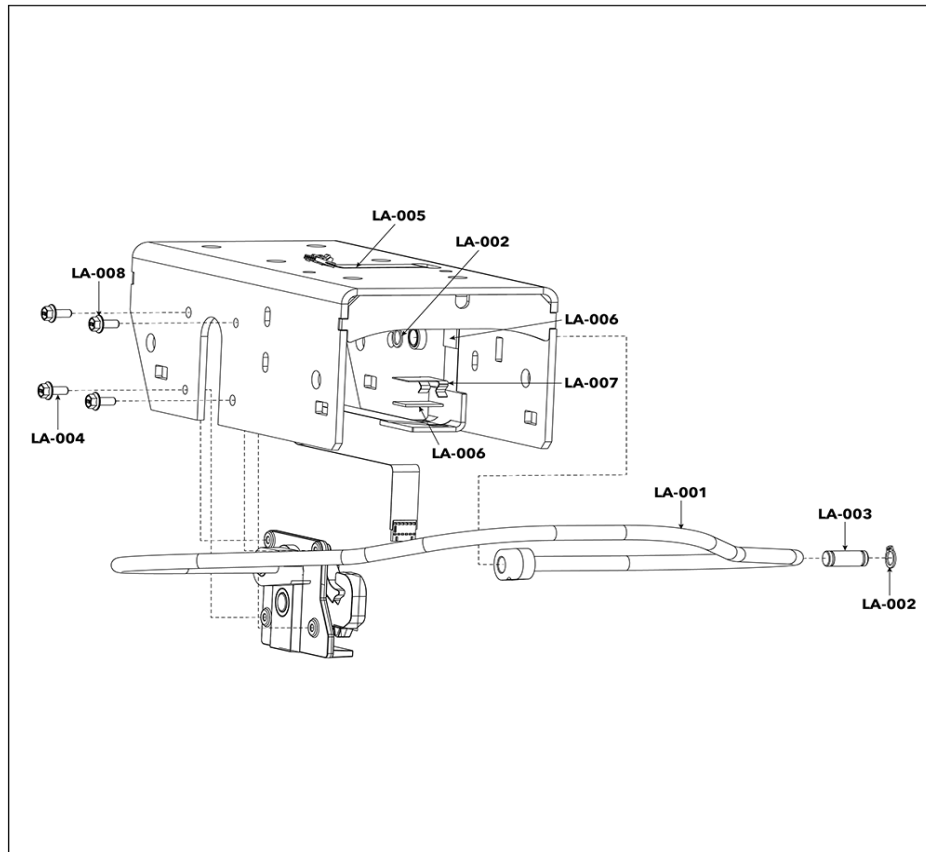
Ref #	Part Number	Qty	Description
FR-001	AK62-00124-0000	4	LEVELER: LEG, ASSEMBLY
FR-002	1010977-0001	2	WHEEL: NON-TREAD
FR-003	1011049-0001	2	RING: M10, E-RING, ST
FR-004	1011048-0001	2	CLEVIS PIN: 10mm O.D.
FR-005	1001040-0001	4	BLOCK: LEVELER
FR-006	0017-00009-1191	6	INSERT: M8 X 6.6, THREADED, HEX
FR-007	0017-00009-1259	2	INSERT: M6 X 5, THREADED, HEX
FR-008	0017-00101-2150	8	SCREW: M8 X 1.25 6G6H X 20, UHS, HXW, CS, ST, ZB

## Handlebars and Seat Mount Weldment



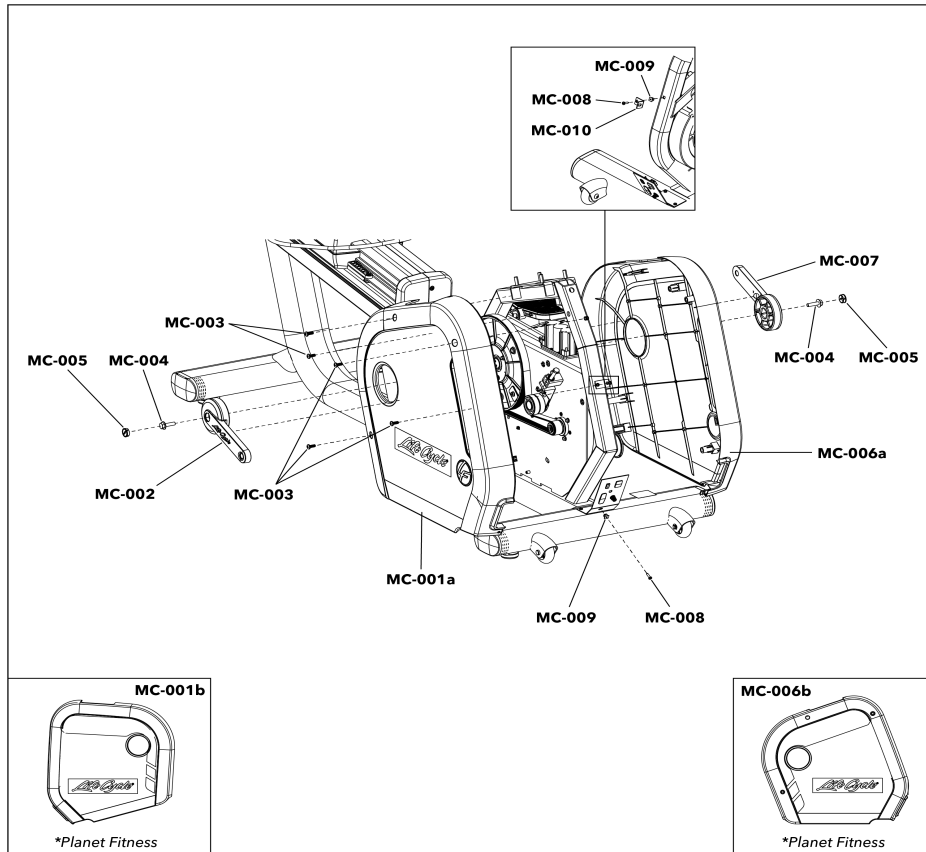
Ref #	Part Number	Qty	Description
HS-001	1004307-7400	1	WELDMENT: ASSEMBLY, SEAT MOUNT, CHARCOAL GRAY
HS-002	0017-00101-2150	6	SCREW: M8 X 1.25 6G6H X 20, UHS, HXW, CS, ST, ZB
HS-003	1005425-0001	1	ASSEMBLY: HANDLEBARS, RECUMBENT, SIMPLE
HS-005	AK63-00014-2404	1	ELECTRODE: INSERT MOLDED; CHGR
HS-006	0K66-01141-0001	1	PLUG: INSULATOR, BLACK
HS-007	1016676-0001	1	SCREW: 6-12 X .75, PHL, PAN, ST, ZB
HS-008	0017-00101-1720	1	SCREW: 6-19 X 16, PHL, PAN, HLS, ST, ZN

# Lift Assembly



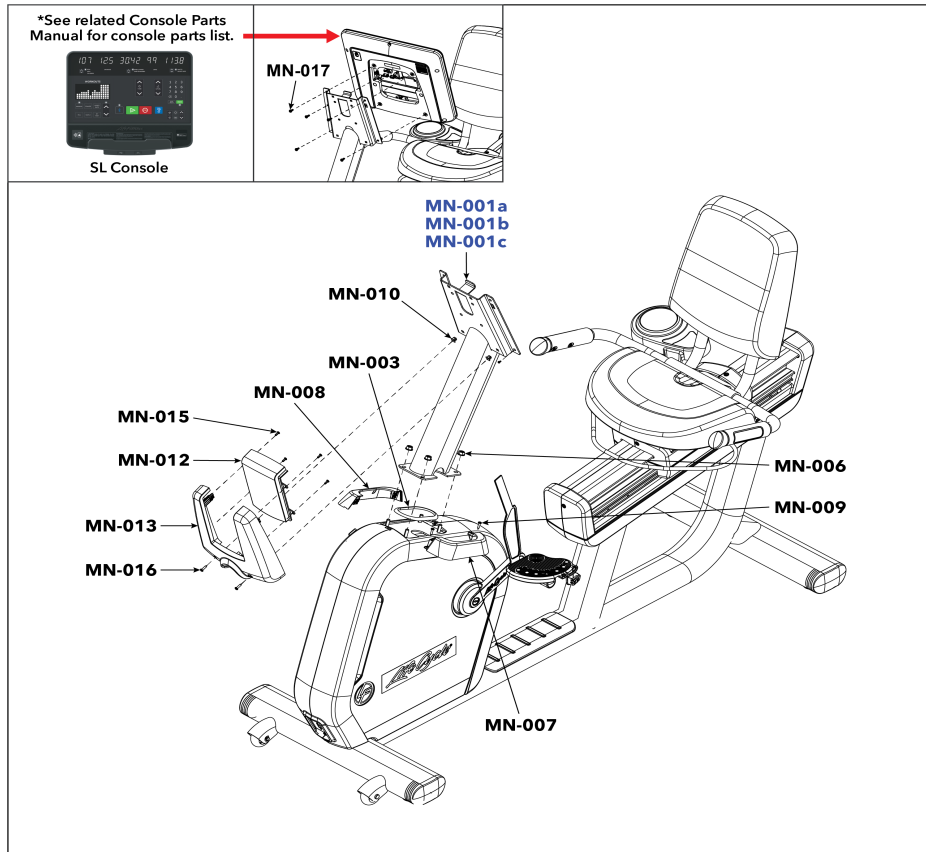
Ref #	Part Number	Qty	Description
LA-001	1003385-0001	1	ASSEMBLY: LATCH MODULE
LA-002	0017-00100-0253	2	RING: M10, RETAINING, EXT, ST
LA-003	1002895-0001	1	SHAFT: PIVOT
LA-004	0017-00101-2151	3	SCREW: M5 X 0.8 6G6G X 12, FLANGE, HEAD, CS, G5, CD
LA-005	1002806-0001	1	CABLE ASSY: FLAT-FLEX
LA-006	1005361-0001	1	ADHESIVE: DOUBLE-SIDED TAPE
LA-007	1003369-0001	1	CLIP: FLAT-FLEX CABLE
LA-008	1007389-0001	1	SCREW: M5 X 0.8 X 12, DIN, HXS, SOC, CS, ST, BO

## Main Shrouds and Crank Arms



Ref #	Part Number	Qty	Description
MC-001b	1012971-0001	1	ASSEMBLY: SHROUD W/DECAL, MAIN, RIGHT, RECUMBENT, PLANET
MC-001a	1012969-0001	1	ASSEMBLY: SHROUD W/DECAL, MAIN, RIGHT, RECUMBENT
MC-002	0K76-01054-0000	1	CRANK ARM: RIGHT
MC-003	0017-00101-2138	5	SCREW: M6 X 1.0 X 16, DIN, PHL, PAN, MS, ST, ZB
MC-004	0017-00101-2077	2	SCREW: M8 X 1.0 6G6H X 30, UNS, HXW, CS, ST, ZS
MC-005	0K66-01121-2400	2	CAP: CRANK, CHARCOAL GRAY
MC-006a	1012968-0001	1	ASSEMBLY: SHROUD W/DECAL, MAIN, LEFT, RECUMBENT
MC-006b	1012970-0001	1	ASSEMBLY: SHROUD W/DECAL, MAIN, LEFT, PLANET
MC-007	0K76-01053-0000	1	CRANK ARM: LEFT
MC-008	0017-00101-1796	2	SCREW: M4.2 X 0.7 6G6G X 19, DIN, PHL, PAN, AB, ST, ZB
MC-009	0017-00042-1147	2	GROMMET: SCREW, 8 OR 10
MC-010	1002971-0001	1	BRACKET: SHROUD CLIP

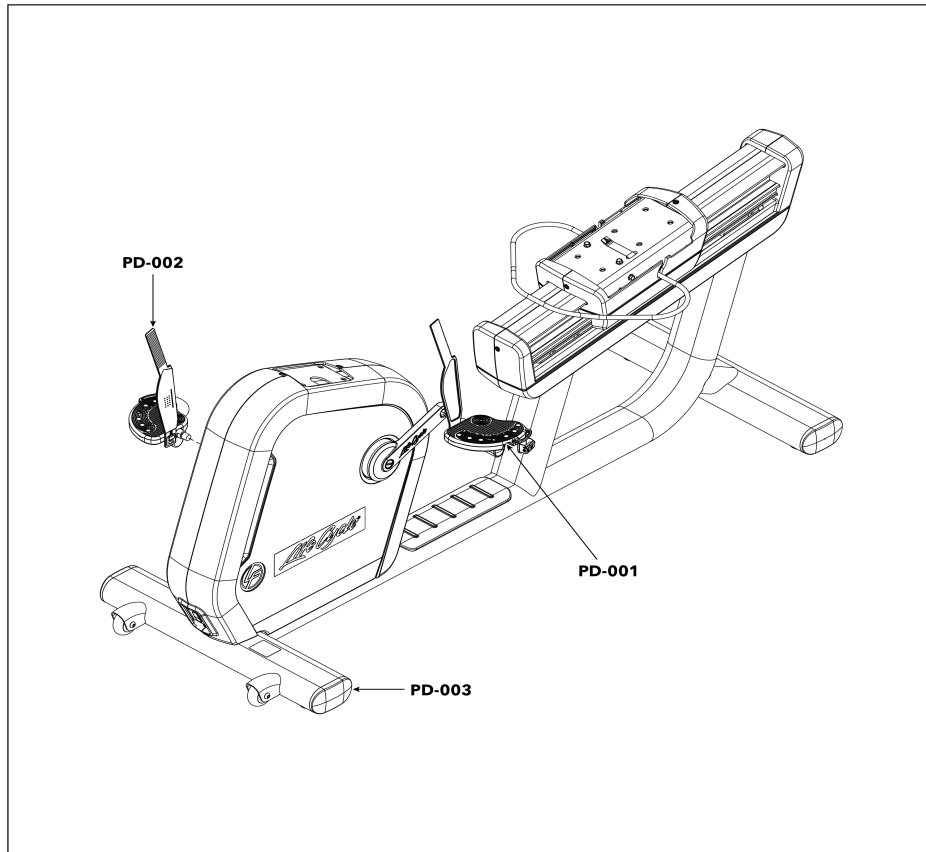
# Monocolumn



Ref #	Part Number	Qty	Description
MN-001b	1000670-5300	1	WELDMENT: MONOCOLUMN, RECUMBENT, SIMPLE, SMOOTH CHARCOAL GRAY ROBUST
MN-001a	1000670-5100	1	WELDMENT: MONOCOLUMN, RECUMBENT, SIMPLE, ARCTIC SILVER ROBUST
MN-001c	1012972-0001	1	ASSEMBLY: MONOCOLUMN W/DECAL, RECUMBENT, PLANET
MN-003	1003232-0700	1	GASKET: MONOCOLUMN, BLACK
MN-006	1013499-0001	4	NUT: M8 X 1.25-6H, HEX, LOCK, ZINC, CLASS 10
MN-007	1002615-2400	1	SHROUD: MONOCOLUMN, LEFT, CHARCOAL GRAY
MN-008	1002616-2400	1	SHROUD ASSY: MONOCOLUMN, RIGHT, CHARCOAL GRAY
MN-009, MN-016	0017-00101-1796	4	SCREW: M4.2 X 0.7 6G6G X 19, DIN, PHL, PAN, AB, ST, ZB
MN-010	0017-00042-1147	4	GROMMET: SCREW, 8 OR 10
MN-012	1012962-0001	1	ASSEMBLY: REAR SHROUD W/DECAL, FILLER, CHGR
MN-013	1002625-2400	1	SHROUD ASSY: CONSOLE BACK, CHARCOAL GRAY
MN-015	0017-00101-1650	4	SCREW: 6-19 X 6, PHL, PAN, PLT, ST, ZB, VMI
MN-017	0017-00101-1940	5	SCREW: M5 X 0.8 X 14, PHL, PAN, MS, ST, ZN

## Pedals and Miscellaneous

---



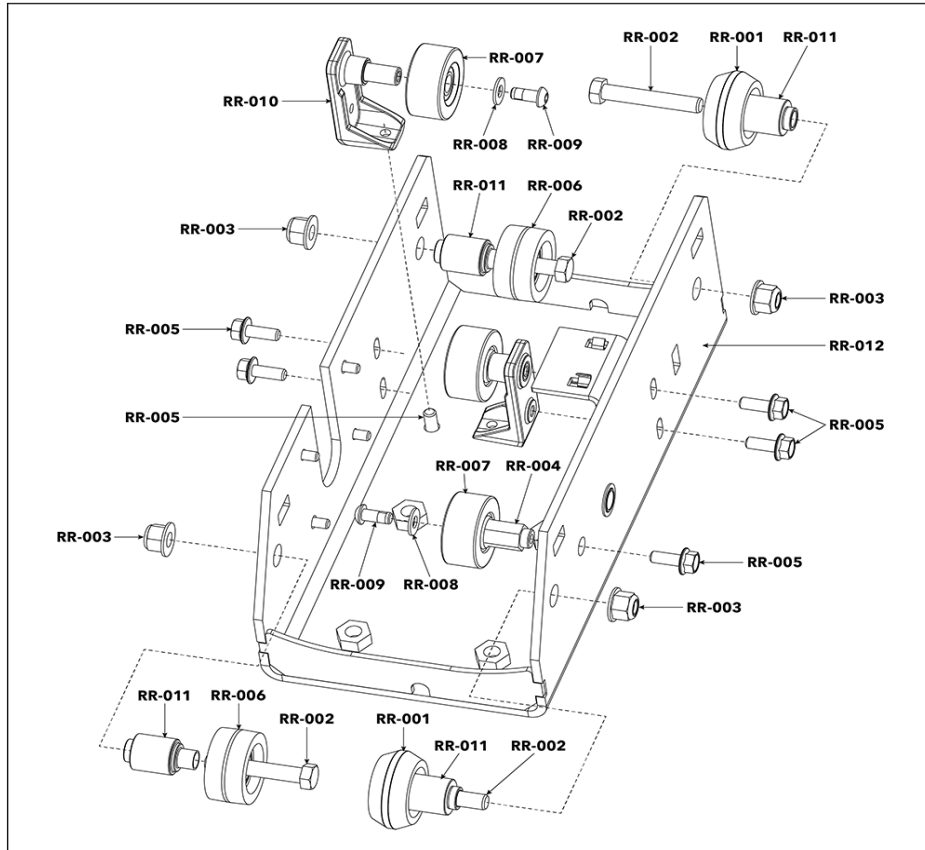
Ref #	Part Number	Qty	Description
PD-001	1006920-0001	1	ASSEMBLY: PEDAL, LIFECYCLE, LEFT
PD-002	1006921-0001	1	ASSEMBLY: PEDAL, LIFECYCLE, RIGHT
PD-003	1002166-0700	4	ENDCAP: LARGE FLOV, BLACK

## Power Cords

LC-001		
LC-002		
LC-003		
LC-004		
LC-005		
LC-006		

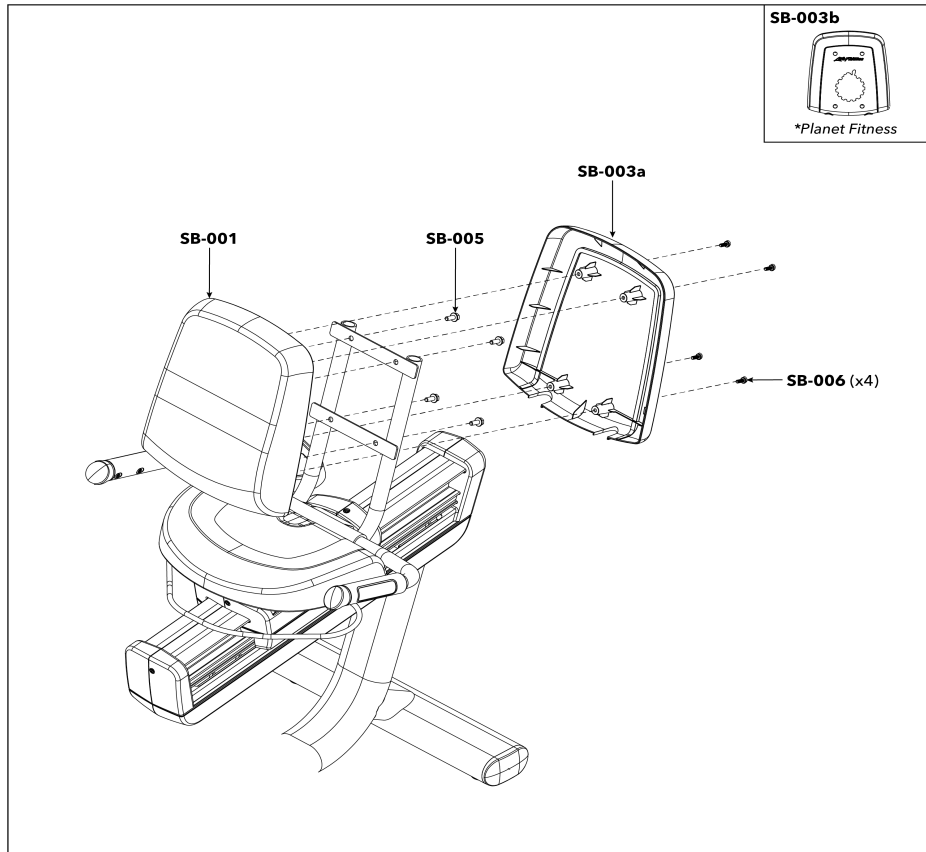
Ref #	Part Number	Qty	Description
LC-001	0017-00003-0691	1	LINE-CORD: CON 10A 250V B
LC-002	0017-00003-0704	1	LINE-CORD: DOM. 10A 125V B
LC-003	0017-00003-0889	1	LINE-CORD: 10A; U.K B
LC-004	0017-00003-0918	1	LINE-CORD: AUSTRALIA B
LC-005	0017-00003-1053	1	LINE-CORD: BRAZIL, IEC-C13
LC-006	0017-00003-1067	1	LINE-CORD: ARGENTINA, IRAM 2073, IEC-C13

# Roller



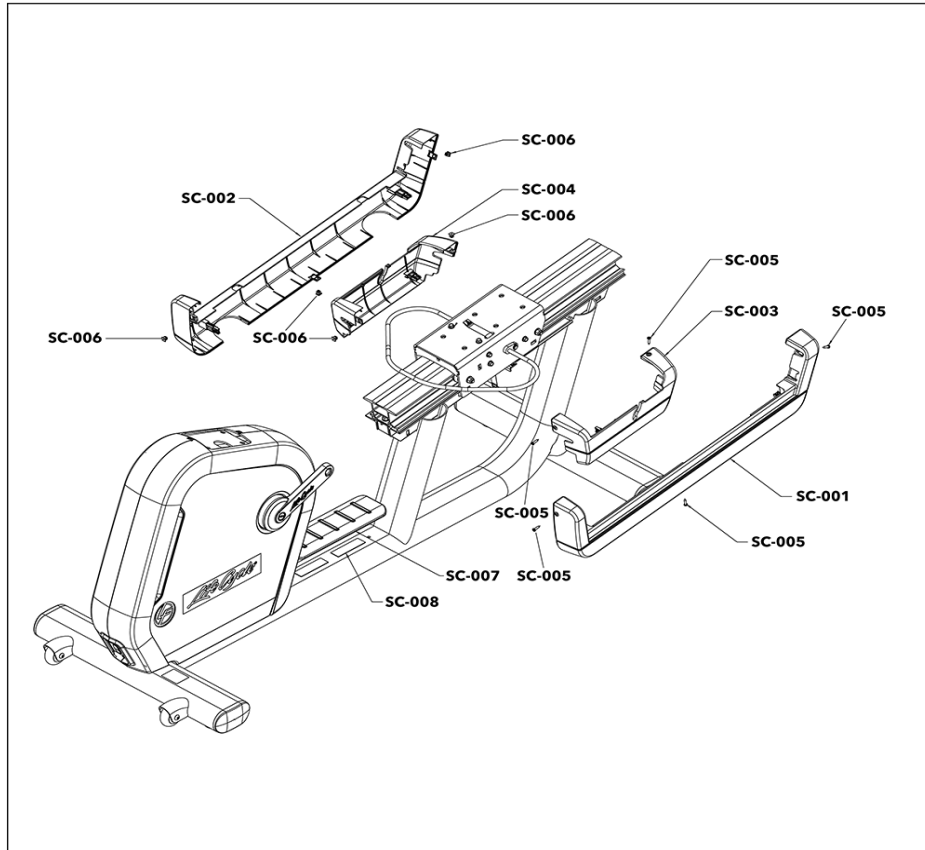
Ref #	Part Number	Qty	Description
RR-001	0K51-01034-0001	2	ROLLER: SEAT, RIGHT SIDE
RR-002	0017-00101-2037	4	SCR:M8 X 1.25 X 50 HEX
RR-003	1003388-0001	4	NUT: M8 X 1.25-6H, DIN, UNF, HEX, LOCKNUT
RR-004	1003788-0001	1	SHAFT: TENSION ROLLER
RR-005	1003368-0001	6	SCREW: M6 X 1.0 X 16, DIN, UNS, HXW, CS, ST, ZB
RR-006	1003365-0001	2	ROLLER: SEAT, LEFT SIDE
RR-007	0K19-01130-0000	3	ROLLER: PRELOAD
RR-008	0017-00104-0072	3	WASHER: 0.255 X 0.562 X 0.046, FLAT, ST, ZN
RR-009	0017-00101-2014	3	SCREW: M6 X 1-6G6H X 14, DIN, HEX, BUT, L, ST, ZB
RR-010	1003371-0001	1	ASSEMBLY: ROLLER TENSIONER
RR-011	1003366-0001	4	HUB: ROLLER
RR-012	1005420-0001	1	ASSEMBLY: SEAT CARRIAGE, RECUMBENT

**Seat Back**



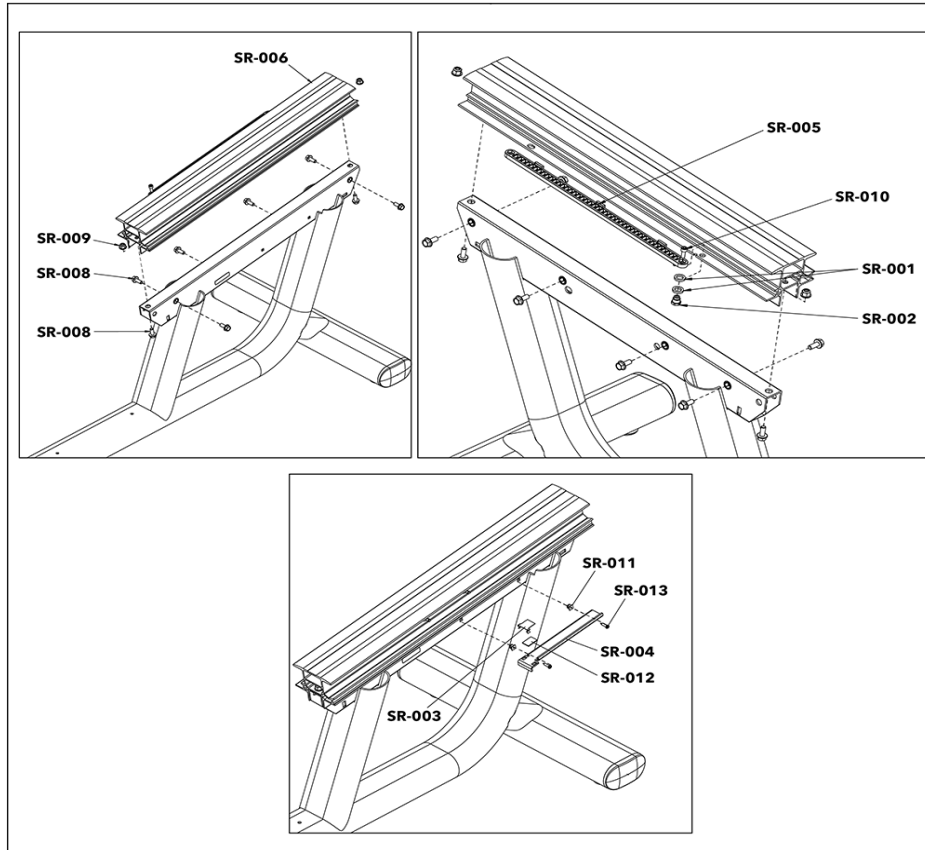
Ref #	Part Number	Qty	Description
SB-001	1003836-0700	1	SEAT: RECUMBENT, BACK, SIMPLE, BLACK
SB-003b	1012973-0001	1	ASSEMBLY: SHROUD W/DECAL, SEAT BACK, PLANET
SB-003a	1003506-2400	1	SHROUD: SEAT BACK, SIMPLE, CHGR
SB-005	0017-00101-2150	4	SCREW: M8 X 1.25 6G6H X 20, UHS, HXW, CS, ST, ZB
SB-006	0017-00101-2138	5	SCREW: M6 X 1.0 X 16, DIN, PHL, PAN, MS, ST, ZB

## Seat Carriage



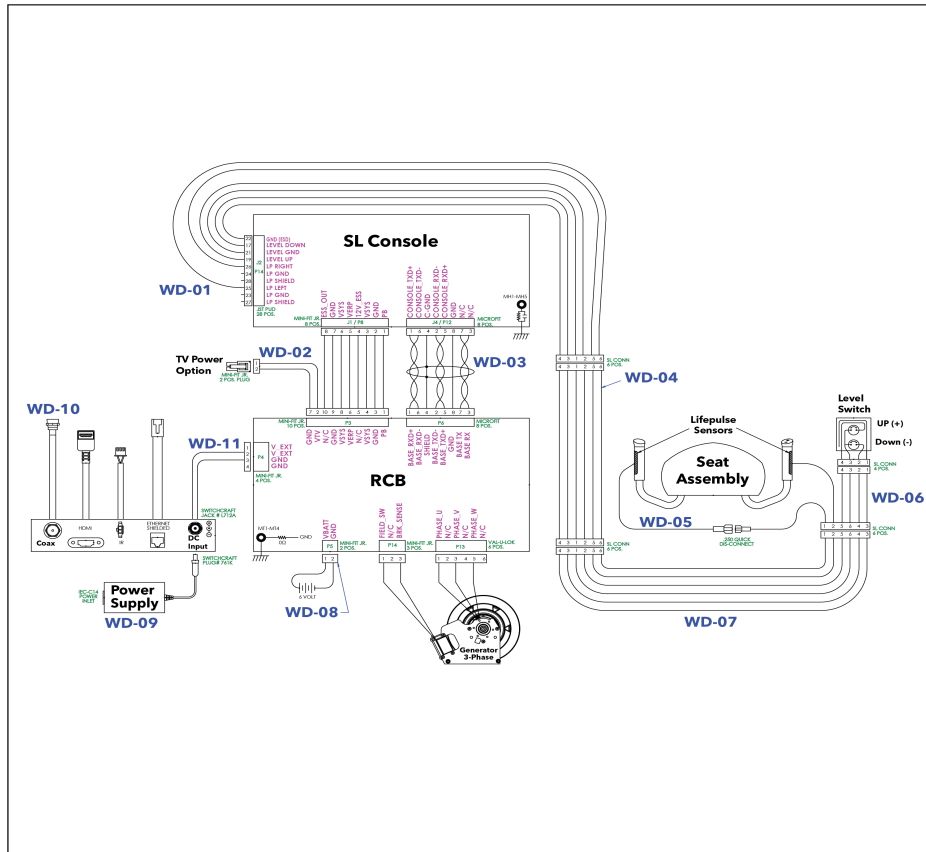
Ref #	Part Number	Qty	Description
SC-001	1002619-2400	1	SHROUD: SEAT RAIL, LEFT, CHARCOAL GRAY
SC-002	1002620-2400	1	SHROUD: SEAT RAIL, RIGHT, CHARCOAL GRAY
SC-003	1002622-2400	1	SHROUD: SEAT CARRIAGE, LEFT, CHARCOAL GRAY
SC-004	1002623-2400	1	SHROUD: SEAT CARRIAGE, RIGHT, CHARCOAL GRAY
SC-005	0017-00101-1796	5	SCREW: M4.2 X 0.7 6G6G X 19, DIN, PHL, PAN, AB, ST, ZB
SC-006	0017-00042-1147	5	GROMMET: SCREW, 8 OR 10
SC-007	1002617-2400	1	SHROUD: BASE, TUBE, RECUMBENT, CHARCOAL GRAY
SC-008	0K61-04115-0002	2	TAPE: ADHESIVE, 3.5 LG.

## Seat Rail



Ref #	Part Number	Qty	Description
SR-001	1003441-0001	4	O-RING: 1/2ID X 3/4OD X 1/8SQ
SR-002	1003440-0001	2	HUB: STOP
SR-003	1003369-0001	2	CLIP: FLAT-FLEX CABLE
SR-004	1011216-0001	1	BRACKET: PLASTIC WIRE TRACK
SR-005	1002027-0001	1	RACK: LOCKING
SR-006	1005515-0001	1	ASSEMBLY: SEAT RAIL W/ DECAL
SR-008	0017-00101-2150	8	SCREW: M8 X 1.25 6G6H X 20, UHS, HXW, CS, ST, ZB
SR-009	1003388-0001	2	NUT: M8 X 1.25-6H, DIN, UNF, HEX, LOCKNUT
SR-010	1005398-0001	2	SCREW: M6 X 1.0 X 16, DIN, HEX, SOC, CS, ST, BO
SR-011	0017-00042-1147	2	GROMMET: SCREW, 8 OR 10
SR-012	1005361-0001	3	ADHESIVE: DOUBLE-SIDED TAPE
SR-013	0017-00101-1796	2	SCREW: M4.2 X 0.7 6G6G X 19, DIN, PHL, PAN, AB, ST, ZB

# Wiring Diagram



Ref #	Part Number	Qty	Description
WD-01	1014603-0000	1	CABLE: MCFLY RECUMBENT, BASE INTERFACE
WD-02	1015794-0002	1	CABLE: MCFLY UPRIGHT, RECUMB, CONSOLE TO BASE, POWER
WD-03	1002239-0002	1	CABLE: CONSOLE TO BASE, SIGNAL, 1300MM
WD-04	AK66-00104-0001	1	CABLE ASSY: KEYPAD/LP, RECUMBENT
WD-05	AK66-00101-0000	1	CBL ASSY: HANDLEBAR; RECUMBENT
WD-06	1004202-0001	1	CABLE: RECUMBENT
WD-07	1002806-0001	1	CABLE ASSY: FLAT-FLEX
WD-08	AK69-00106-0002	1	CABLE ASSY: BATTERY, NON-TREADS, 32 INCH
WD-09	1011106-0001	1	POWER SUPPLY: 24VDC, 5A
WD-10	AK65-00062-0000	1	CABLE ASSY: COAX, RG6
WD-11	1003521-0002	1	CABLE: POWER, RCB TO PANEL, 5A, RECUMBENT BIKE

