

**ARB INT REC BIKE SMP SE4 ARC SIL NEO BASE
UK**

ASPR-SE4-ASLXN-12AR

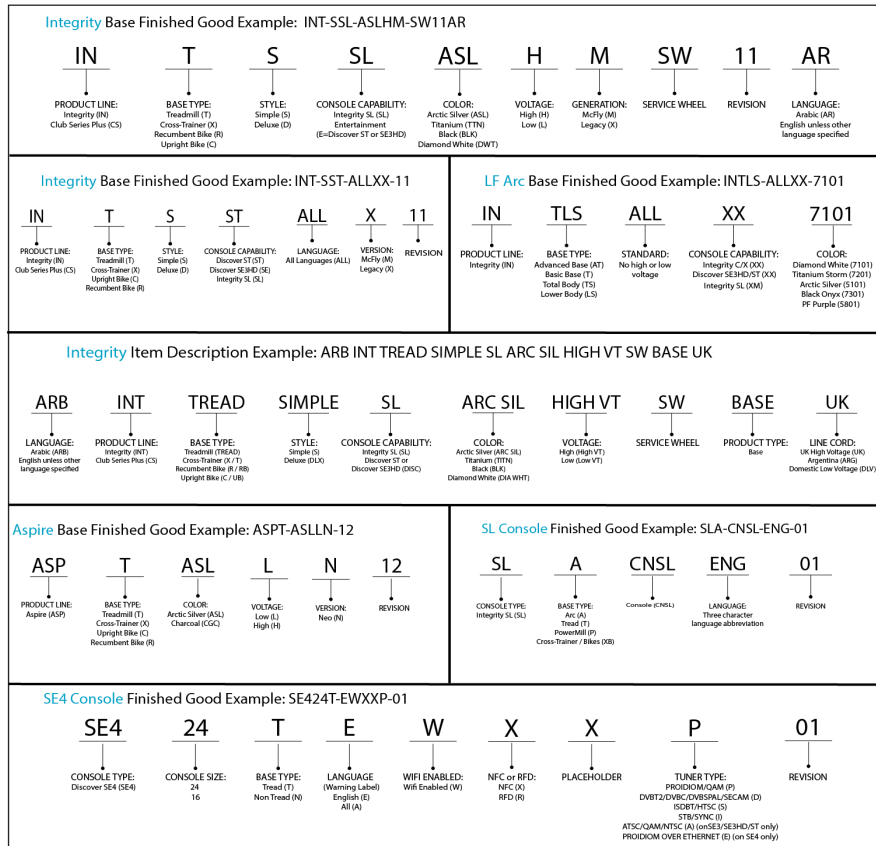
Parts Manual

5/20/2024 9:44:02 AM

Table of Contents

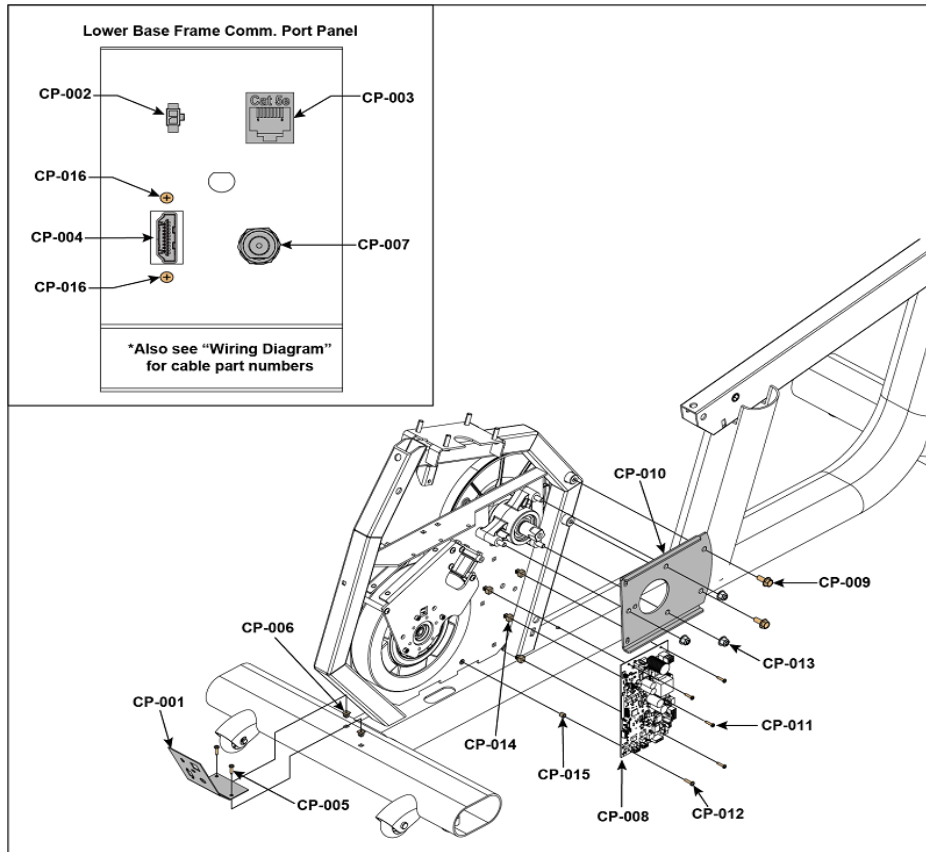
A Legend Description	3
Communication Port, Plugs, and PCB Assembly	4
Cup Holders and Seat Bottom	5
Drivetrain	6
Front Roller and Leg Levelers	7
Handlebars and Seat Mount Weldment	8
Lift Assembly	9
Main Shrouds and Crank Arms	10
Monocolumn	11
Pedals and Miscellaneous	12
Power Cords	13
Roller	14
Seat Back	15
Seat Carriage	16
Seat Rail	17
Wiring Diagram	18

A Legend Description



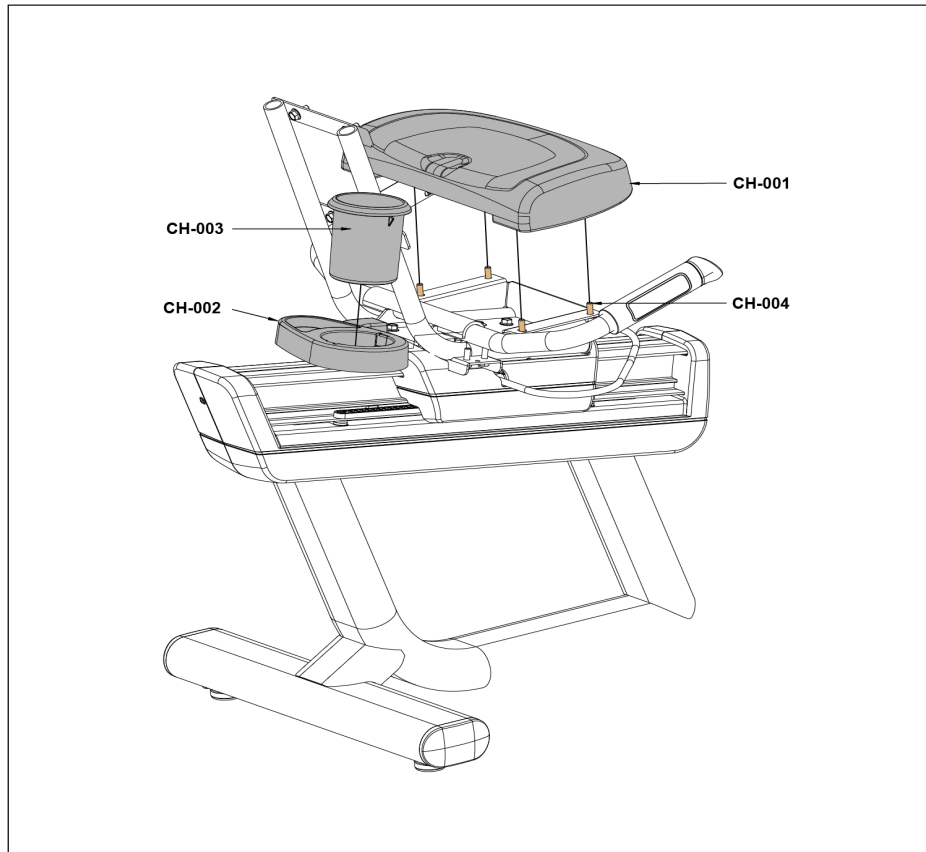
Ref #	Part Number	Qty	Description
-	LEGEND_DESCRIP TION	1	LEGEND DESCRIPTION

Communication Port, Plugs, and PCB Assembly



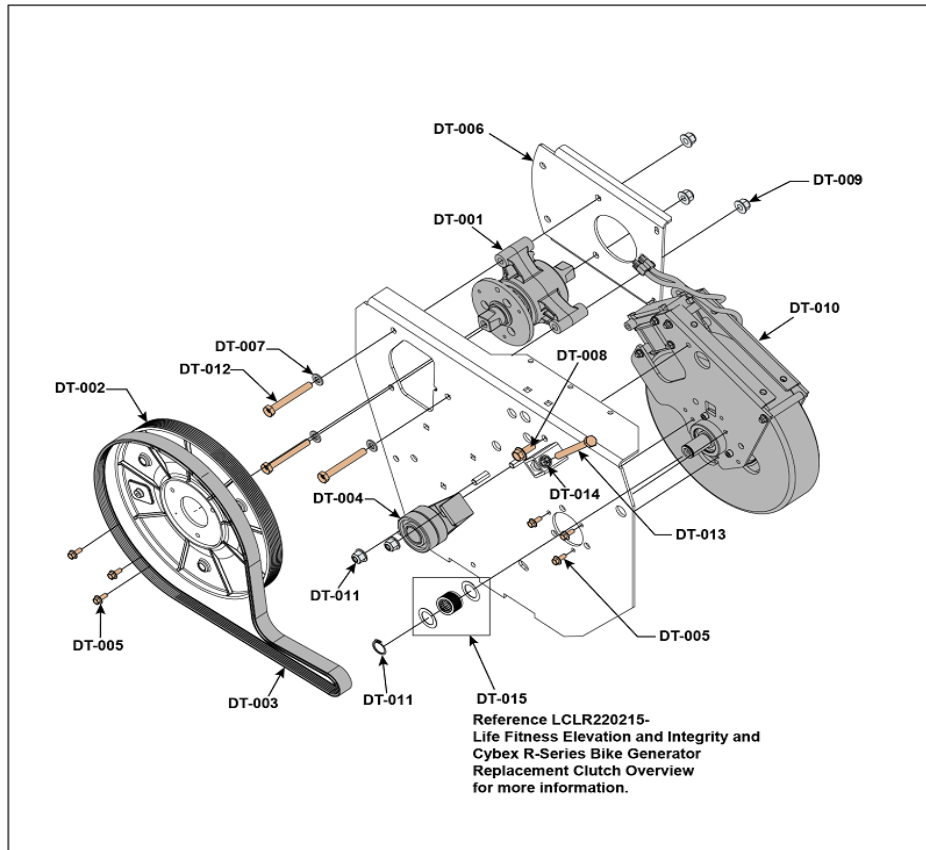
Ref #	Part Number	Qty	Description
CP-001	1001773-0001	1	BRACKET: COM-PORT, RECUMBENT
CP-002	1001671-0003	1	CABLE: IR, CONSOLE TO PANEL, 1700MM
CP-003	0017-00021-3195	1	COUPLER: CAT5E, SHIELDED, RJ45
CP-004	1001653-0003	1	CABLE ASSY: HDMI, PANEL MOUNT, RIGHT, 1700MM
CP-005	0017-00101-1796	2	SCREW: M4.2 X 0.7 6G6G X 19, DIN, PHL, PAN, AB, ST, ZB
CP-006	0017-00042-1147	2	GROMMET: SCREW, 8 OR 10
CP-007	0017-00021-2846	1	CONNECTOR: COAX, PANEL MOUNT
CP-008	1015538-0011	1	PCB ASSY: RCB MCFLY
CP-009	0017-00101-2150	2	SCREW: M8 X 1.25 6G6H X 20, UHS, HXW, CS, ST, ZB
CP-010	1012890-0001	1	BRACKET: HUB BACKING
CP-011	0017-00101-1838	4	SCREW: M3.5 X 1.3 6G6G X 19, PHL, PAN, AB, ST, ZN
CP-012	0017-00101-1874	1	SCREW: M4 X 0.70-6G6G X 16, ISO, PHL, PAN, MS, ST, ZN
CP-013	1003388-0001	3	NUT: M8 X 1.25-6H, DIN, UNF, HEX, LOCKNUT
CP-014	0017-00042-0821	4	GROMMET: SCREW, #6
CP-015	1013169-0001	1	SPACER: M5.3 X 8 X 7, ALUMINUM
CP-016	0017-00101-2016	2	SCREW: M3 X 0.5 6G6G X 10, DIN, PHL, PAN, E, MS, ST, ZN

Cup Holders and Seat Bottom



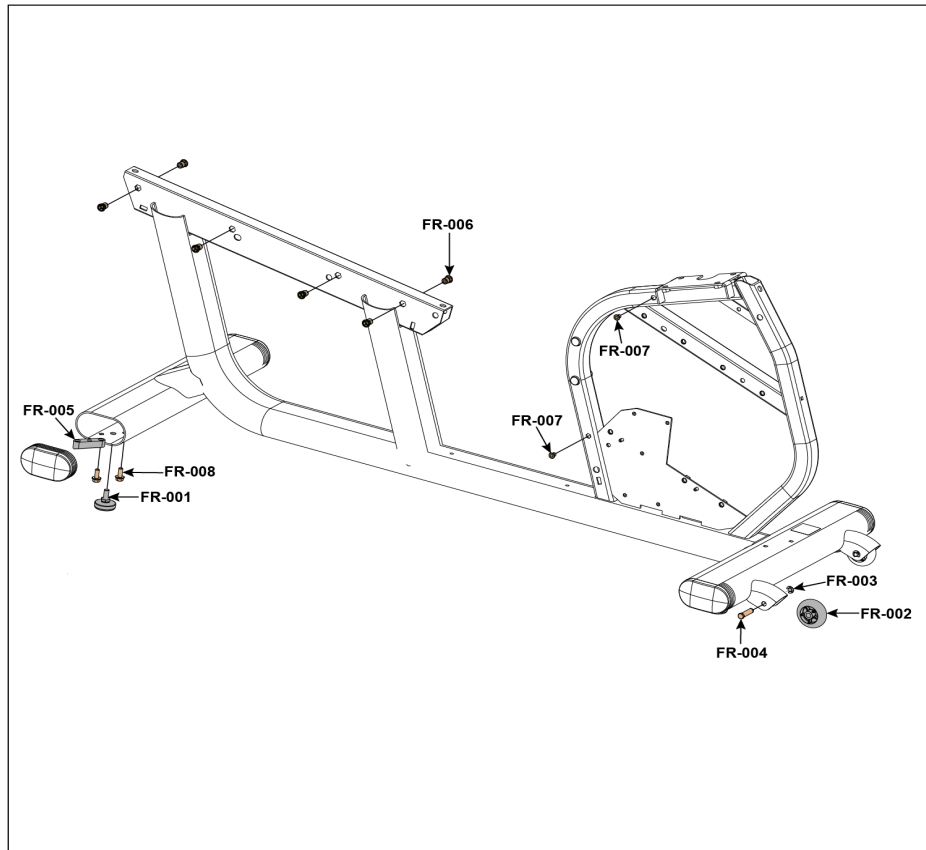
Ref #	Part Number	Qty	Description
CH-001	1005010-0700	1	SEAT: RECUMBENT BOTTOM, BLACK
CH-002	1002626-2400	1	SHROUD: CUP HOLDER, RETAINER, RIGHT, CHARCOAL GRAY
CH-003	1001034-2400	2	CUPHOLDER: LOCKING, CHARCOAL GRAY
CH-005	0017-00101-2150	4	SCREW: M8 X 1.25 6G6H X 20, UHS, HXW, CS, ST, ZB

Drivetrain



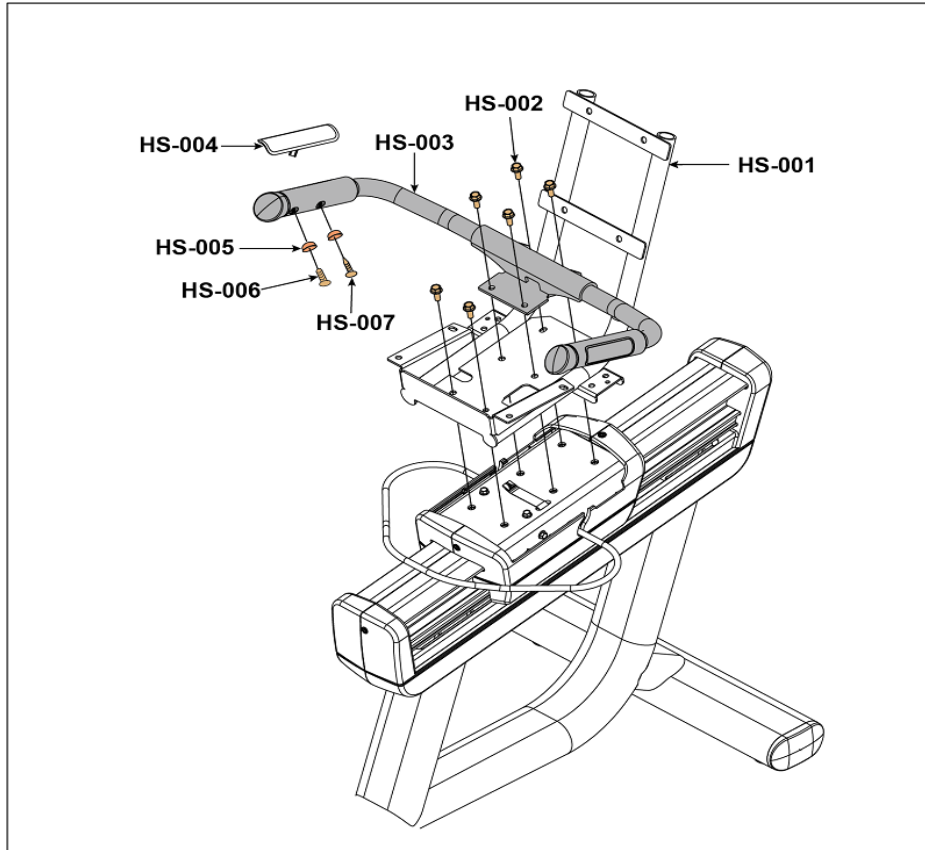
Ref #	Part Number	Qty	Description
DT-001	AK66-00151-0000	1	HUB ASSY: CRANKSHAFT, UNIPLATE
DT-002	1004280-0001	1	PULLEY: POLYV,J SECTION, 276MM PD
DT-003	1004288-0001	1	BELT: POLY V 460J8
DT-004	1017347-0001	1	ASSEMBLY: TENSIONER, IDLER
DT-005	0017-00101-2151	6	SCREW: M5 X 0.8 6G6G X 12, FLANGE, HEAD, CS, G5, CD
DT-006	1012890-0001	1	BRACKET: HUB BACKING
DT-007	0017-00104-0469	3	WASHER: M8.4 X 16.0 X 1.6, DIN, FLAT, ST, ZB
DT-008	0017-00101-2150	1	SCREW: M8 X 1.25 6G6H X 20, UHS, HXW, CS, ST, ZB
DT-009	1003388-0001	3	NUT: M8 X 1.25-6H, DIN, UNF, HEX, LOCKNUT
DT-010	1014174-0001	1	GENERATOR: BRAKE W/20MM EXT.
DT-011	0017-00100-0242	1	RING: M19.84, RETAINING, ST, 5101-98
DT-012	1013510-0001	3	SCREW: M8 X 1.25 - 6g X 65, HEX, ZN, CLASS 10.9
DT-013	0017-00101-1944	1	SCREW: M8 X 1.25
DT-014	0017-00009-1191	1	INSERT: M8 X 6.6, THREADED, HEX
DT-015	1015424-0001	1	KIT: CLUTCH & SHEAVE, 20MM

Front Roller and Leg Levelers



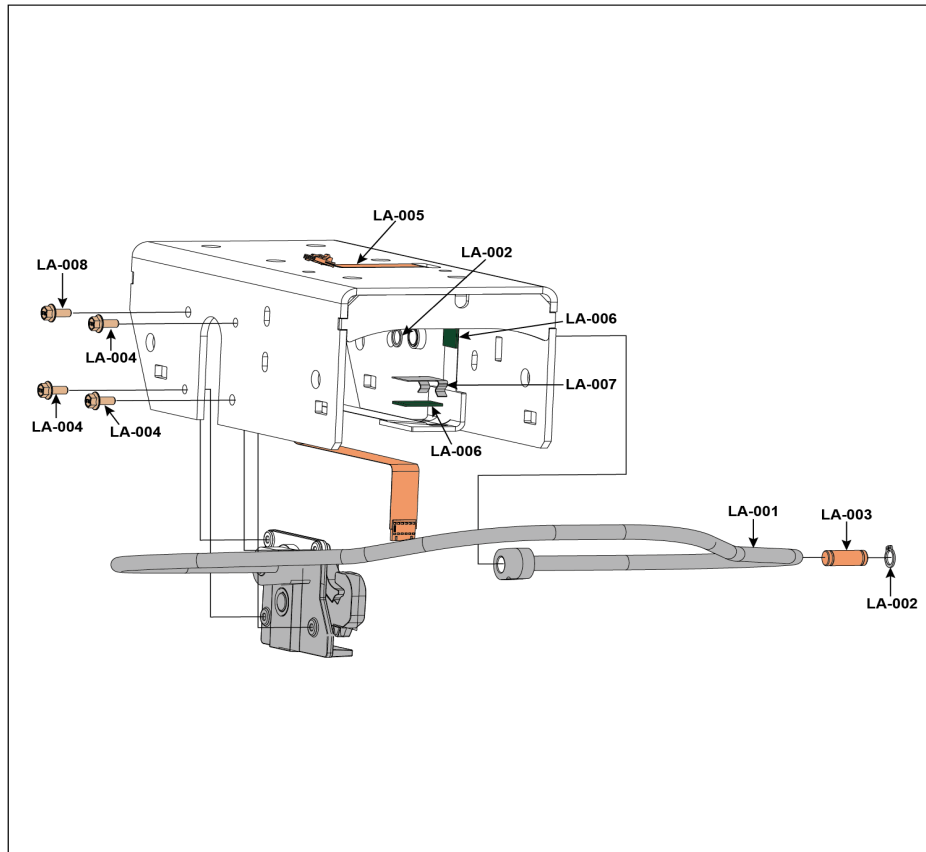
Ref #	Part Number	Qty	Description
FR-001	AK62-00124-0000	4	LEVELER: LEG, ASSEMBLY
FR-002	1010977-0001	2	WHEEL: NON-TREAD
FR-003	1011049-0001	2	RING: M10, E-RING, ST
FR-004	1011048-0001	2	CLEVIS PIN: 10mm O.D.
FR-005	1001040-0001	4	BLOCK: LEVELER
FR-006	0017-00009-1191	6	INSERT: M8 X 6.6, THREADED, HEX
FR-007	0017-00009-1259	2	INSERT: M6 X 5, THREADED, HEX
FR-008	0017-00101-2150	8	SCREW: M8 X 1.25 6G6H X 20, UHS, HXW, CS, ST, ZB

Handlebars and Seat Mount Weldment



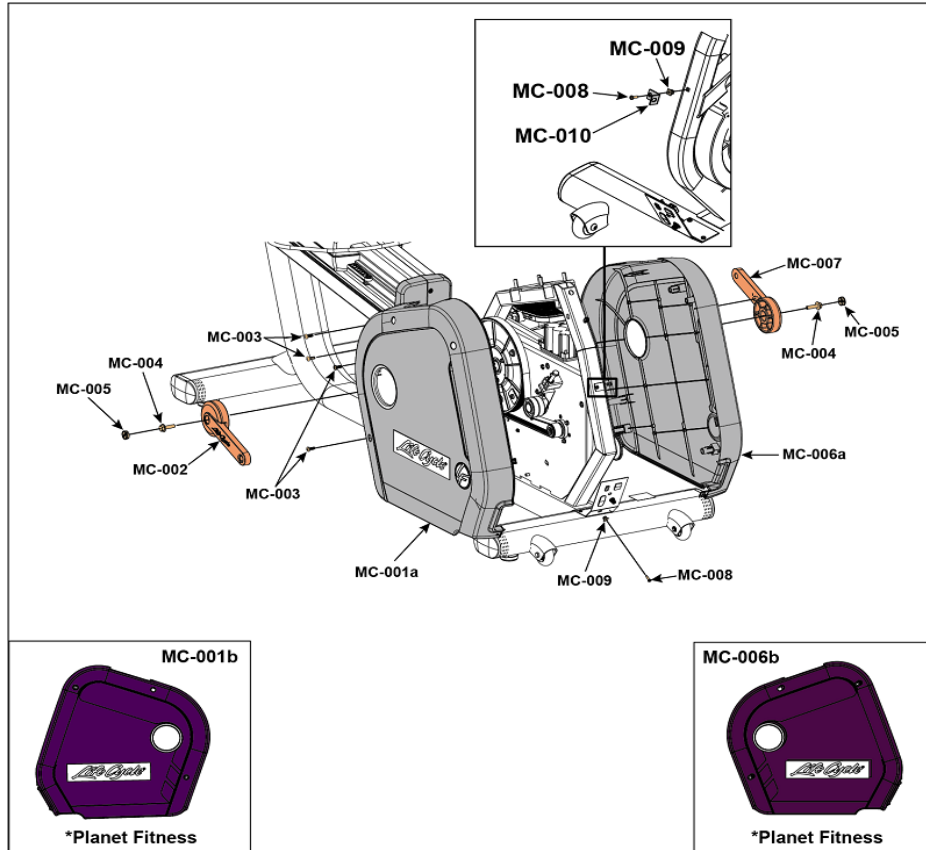
Ref #	Part Number	Qty	Description
HS-001	1004307-7400	1	WELDMENT: ASSEMBLY, SEAT MOUNT, CHARCOAL GRAY
HS-002	0017-00101-2150	6	SCREW: M8 X 1.25 6G6H X 20, UHS, HXW, CS, ST, ZB
HS-003	1005425-0001	1	ASSEMBLY: HANDLEBARS, RECUMBENT, SIMPLE
HS-004	AK63-00014-2404	2	ELECTRODE: INSERT MOLDED; CHGR
HS-005	0K66-01141-0001	4	PLUG: INSULATOR, BLACK
HS-006	1016676-0001	2	SCREW: 6-12 X .75, PHL, PAN, ST, ZB
HS-007	0017-00101-1720	2	SCREW: 6-19 X 16, PHL, PAN, HLS, ST, ZN

Lift Assembly



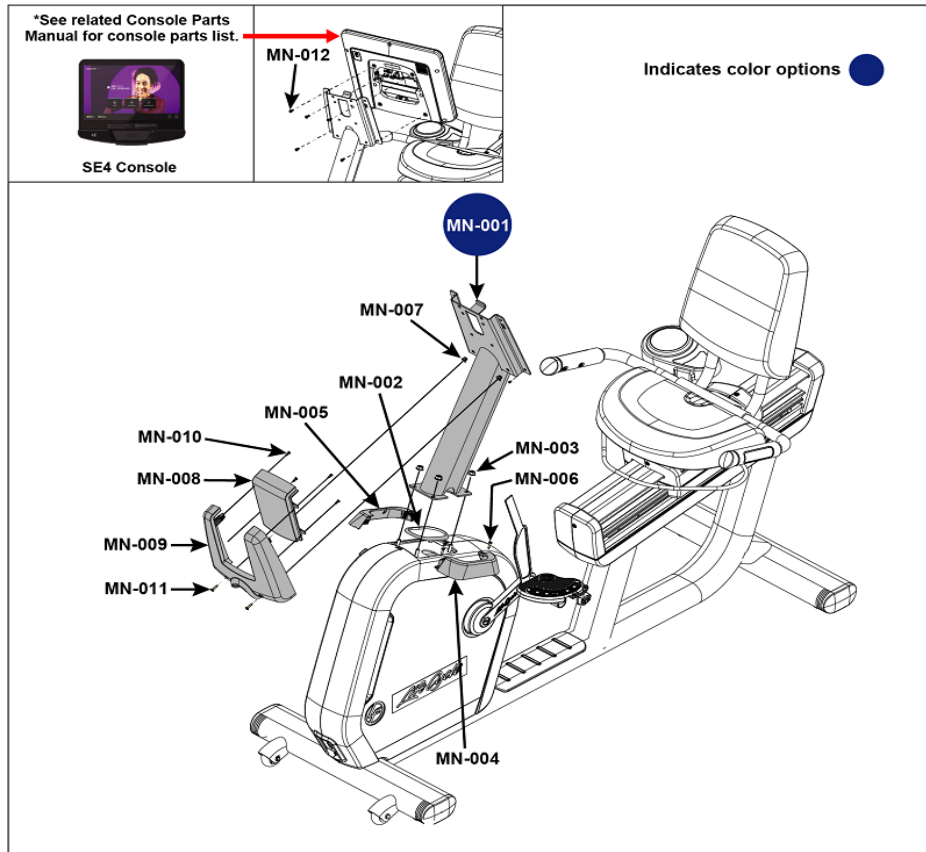
Ref #	Part Number	Qty	Description
LA-001	1003385-0001	1	ASSEMBLY: LATCH MODULE
LA-002	0017-00100-0253	2	RING: M10, RETAINING, EXT, ST
LA-003	1002895-0001	1	SHAFT: PIVOT
LA-004	0017-00101-2151	3	SCREW: M5 X 0.8 6G6G X 12, FLANGE, HEAD, CS, G5, CD
LA-005	1002806-0001	1	CABLE ASSY: FLAT-FLEX
LA-006	1005361-0001	2	ADHESIVE: DOUBLE-SIDED TAPE
LA-007	1003369-0001	1	CLIP: FLAT-FLEX CABLE
LA-008	1007389-0001	1	SCREW: M5 X 0.8 X 12, DIN, HXS, SOC, CS, ST, BO

Main Shrouds and Crank Arms



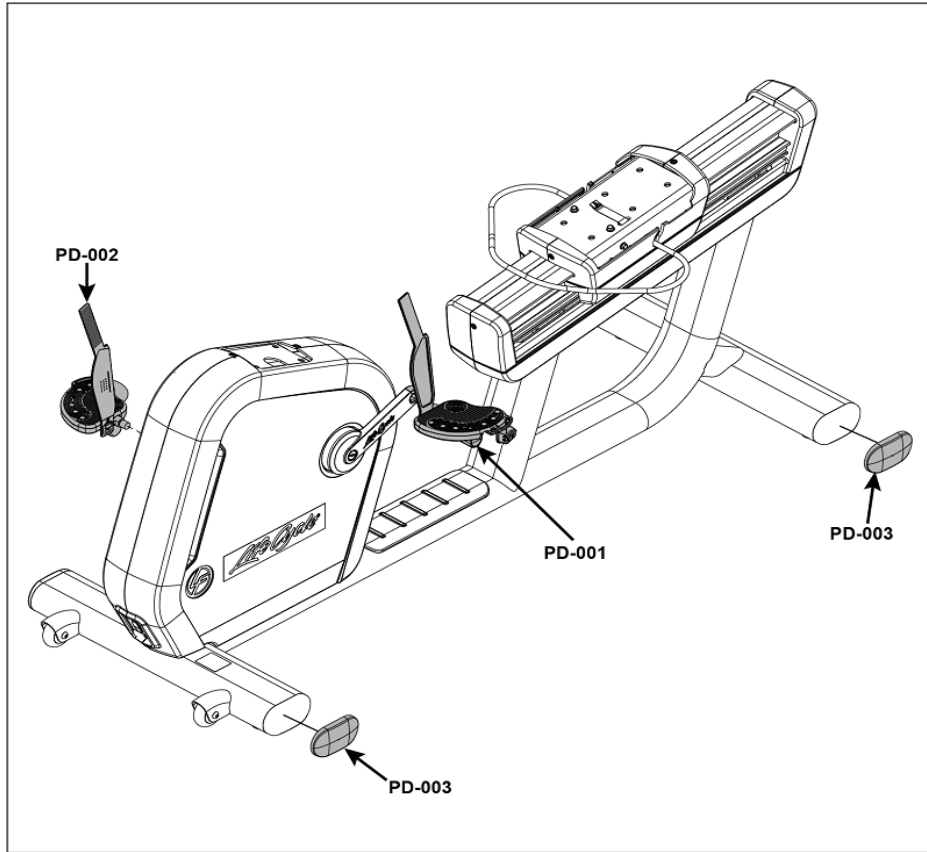
Ref #	Part Number	Qty	Description
MC-001a	1012969-0001	1	ASSEMBLY: SHROUD W/DECAL, MAIN, RIGHT, RECUMBENT
MC-001b	1012971-0001	1	ASSEMBLY: SHROUD W/DECAL, MAIN, RIGHT, RECUMBENT, PLANET
MC-002	0K76-01054-0000	1	CRANK ARM: RIGHT
MC-003	0017-00101-2138	5	SCREW: M6 X 1.0 X 16, DIN, PHL, PAN, MS, ST, ZB
MC-004	0017-00101-2077	2	SCREW: M8 X 1.0 6G6H X 30, UNS, HXW, CS, ST, ZS
MC-005	0K66-01121-2400	2	CAP: CRANK, CHARCOAL GRAY
MC-006a	1012968-0001	1	ASSEMBLY: SHROUD W/DECAL, MAIN, LEFT, RECUMBENT
MC-006b	1012970-0001	1	ASSEMBLY: SHROUD W/DECAL, MAIN, LEFT, PLANET
MC-007	0K76-01053-0000	1	CRANK ARM: LEFT
MC-008	0017-00101-1796	2	SCREW: M4.2 X 0.7 6G6G X 19, DIN, PHL, PAN, AB, ST, ZB
MC-009	0017-00042-1147	2	GROMMET: SCREW, 8 OR 10
MC-010	1002971-0001	1	BRACKET: SHROUD CLIP

Monocolumn





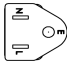
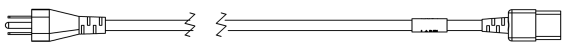

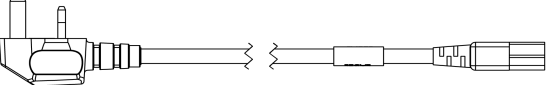

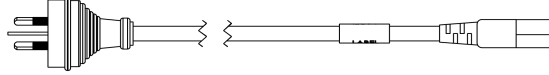
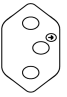
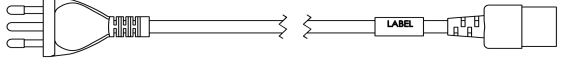

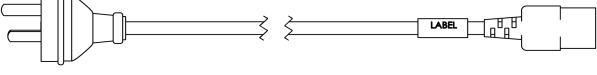
Ref #	Part Number	Qty	Description
MN-001a	1000670-5100	1	WELDMENT: MONOCOLUMN, RECUMBENT, SIMPLE, ARCTIC SILVER ROBUST
MN-001c	1012972-0001	1	ASSEMBLY: MONOCOLUMN W/DECAL, RECUMBENT, PLANET
MN-001b	1000670-5300	1	WELDMENT: MONOCOLUMN, RECUMBENT, SIMPLE, SMOOTH CHARCOAL GRAY ROBUST
MN-002	1003232-0700	1	GASKET: MONOCOLUMN, BLACK
MN-003	1013499-0001	4	NUT: M8 X 1.25-6H, HEX, LOCK, ZINC, CLASS 10
MN-004	1002615-2400	1	SHROUD: MONOCOLUMN, LEFT, CHARCOAL GRAY
MN-005	1002616-2400	1	SHROUD ASSY: MONOCOLUMN, RIGHT, CHARCOAL GRAY
MN-006, MN-011	0017-00101-1796	4	SCREW: M4.2 X 0.7 6G6G X 19, DIN, PHL, PAN, AB, ST, ZB
MN-007	0017-00042-1147	4	GROMMET: SCREW, 8 OR 10
MN-008	1012962-0001	1	ASSEMBLY: REAR SHROUD W/DECAL, FILLER, CHGR
MN-009	1002625-2400	1	SHROUD ASSY: CONSOLE BACK, CHARCOAL GRAY
MN-010	0017-00101-1650	4	SCREW: 6-19 X 6, PHL, PAN, PLT, ST, ZB, VMI
MN-012	0017-00101-1940	5	SCREW: M5 X 0.8 X 14, PHL, PAN, MS, ST, ZN

Pedals and Miscellaneous



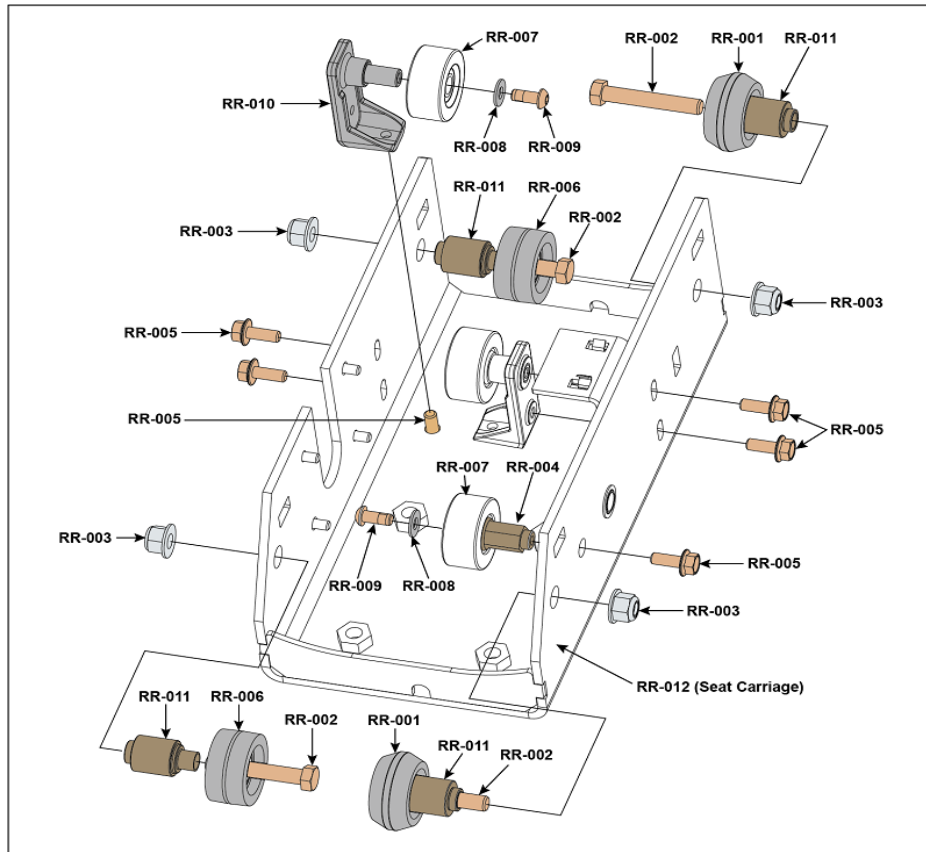
Ref #	Part Number	Qty	Description
PD-001	1006920-0001	1	ASSEMBLY: PEDAL, LIFECYCLE, LEFT
PD-002	1006921-0001	1	ASSEMBLY: PEDAL, LIFECYCLE, RIGHT
PD-003	1022454-0001	4	ENDCAP: FLOV : INJ MOLDED

Power Cords

LC-001		
LC-002		
LC-003		
LC-004		
LC-005		
LC-006		

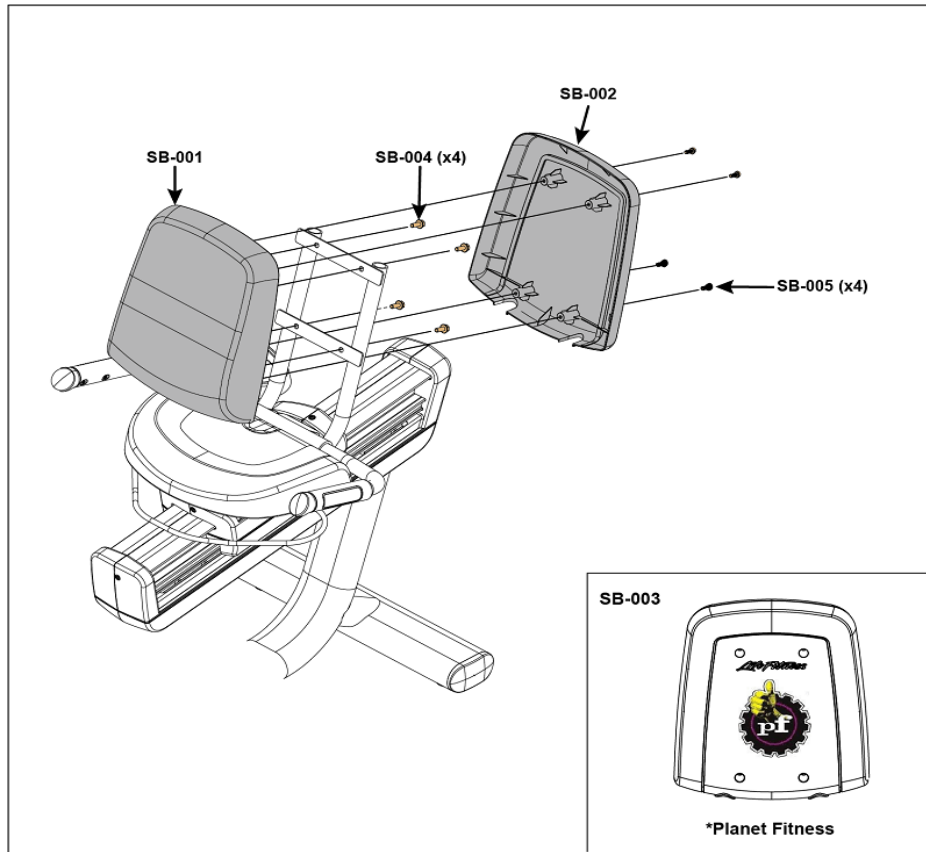
Ref #	Part Number	Qty	Description
LC-001	0017-00003-0691	1	LINE-CORD: CON 10A 250V B
LC-002	0017-00003-0704	1	LINE-CORD: DOM. 10A 125V B
LC-003	0017-00003-0889	1	LINE-CORD: 10A; U.K B
LC-004	0017-00003-0918	1	LINE-CORD: AUSTRALIA B
LC-005	0017-00003-1053	1	LINE-CORD: BRAZIL, IEC-C13
LC-006	0017-00003-1067	1	LINE-CORD: ARGENTINA, IRAM 2073, IEC-C13

Roller



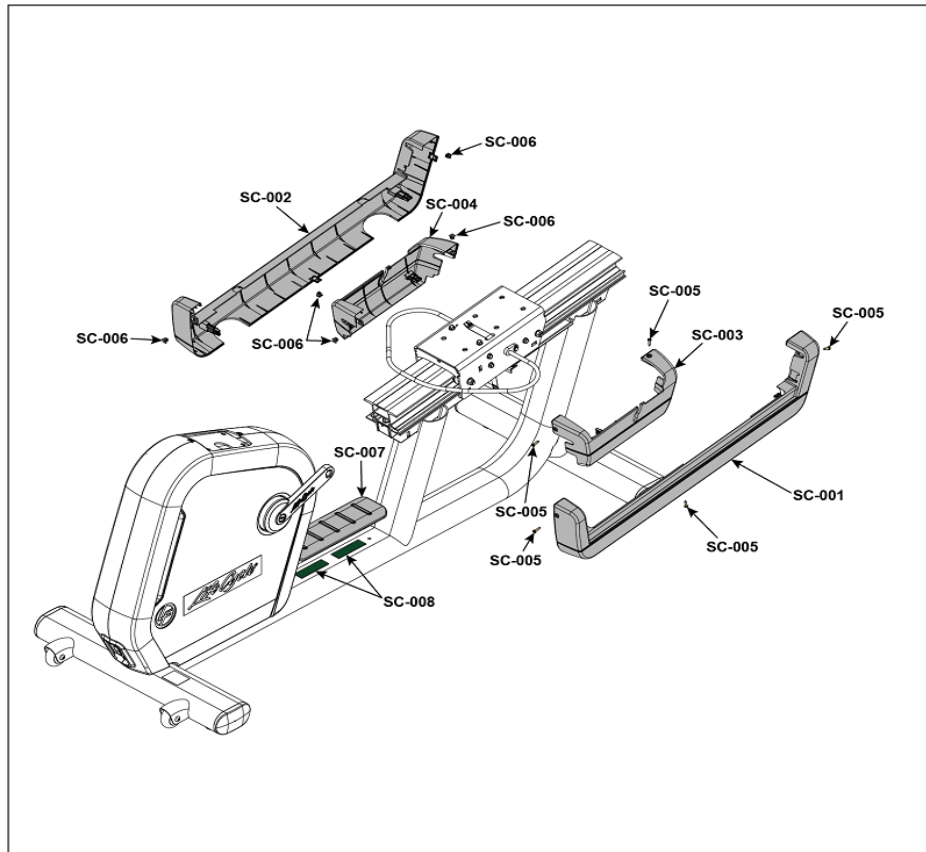
Ref #	Part Number	Qty	Description
RR-001	0K51-01034-0001	2	ROLLER: SEAT, RIGHT SIDE
RR-002	0017-00101-2037	4	SCR:M8 X 1.25 X 50 HEX
RR-003	1003388-0001	4	NUT: M8 X 1.25-6H, DIN, UNF, HEX, LOCKNUT
RR-004	1003788-0001	1	SHAFT: TENSION ROLLER
RR-005	1003368-0001	6	SCREW: M6 X 1.0 X 16, DIN, UNS, HXW, CS, ST, ZB
RR-006	1003365-0001	2	ROLLER: SEAT, LEFT SIDE
RR-007	0K19-01130-0000	3	ROLLER: PRELOAD
RR-008	0017-00104-0072	3	WASHER: 0.255 X 0.562 X 0.046, FLAT, ST, ZN
RR-009	0017-00101-2014	3	SCREW: M6 X 1-6G6H X 14, DIN, HEX, BUT, L, ST, ZB
RR-010	1003371-0001	2	ASSEMBLY: ROLLER TENSIONER
RR-011	1003366-0001	4	HUB: ROLLER
RR-012	1005420-0001	1	ASSEMBLY: SEAT CARRIAGE, RECUMBENT

Seat Back



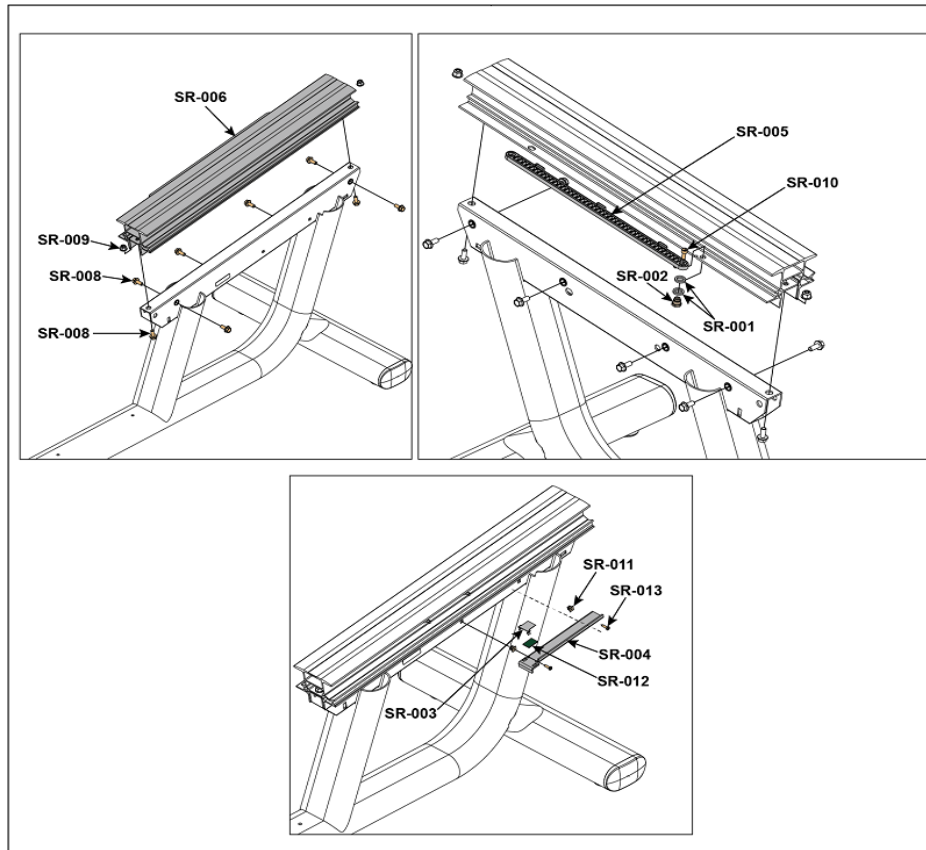
Ref #	Part Number	Qty	Description
SB-001	1003836-0700	1	SEAT: RECUMBENT, BACK, SIMPLE, BLACK
SB-002	1003506-2400	1	SHROUD: SEAT BACK, SIMPLE, CHGR
SB-003	1012973-0001	1	ASSEMBLY: SHROUD W/DECAL, SEAT BACK, PLANET
SB-004	0017-00101-2150	4	SCREW: M8 X 1.25 6G6H X 20, UHS, HXW, CS, ST, ZB
SB-005	0017-00101-2138	4	SCREW: M6 X 1.0 X 16, DIN, PHL, PAN, MS, ST, ZB

Seat Carriage



Ref #	Part Number	Qty	Description
SC-001	1002619-2400	1	SHROUD: SEAT RAIL, LEFT, CHARCOAL GRAY
SC-002	1002620-2400	1	SHROUD: SEAT RAIL, RIGHT, CHARCOAL GRAY
SC-003	1002622-2400	1	SHROUD: SEAT CARRIAGE, LEFT, CHARCOAL GRAY
SC-004	1002623-2400	1	SHROUD: SEAT CARRIAGE, RIGHT, CHARCOAL GRAY
SC-005	0017-00101-1796	5	SCREW: M4.2 X 0.7 6G6G X 19, DIN, PHL, PAN, AB, ST, ZB
SC-006	0017-00042-1147	5	GROMMET: SCREW, 8 OR 10
SC-007	1002617-2400	1	SHROUD: BASE, TUBE, RECUMBENT, CHARCOAL GRAY
SC-008	0K61-04115-0002	2	TAPE: ADHESIVE, 3.5 LG.

Seat Rail



Ref #	Part Number	Qty	Description
SR-001	1003441-0001	4	O-RING: 1/2ID X 3/4OD X 1/8SQ
SR-002	1003440-0001	2	HUB: STOP
SR-003	1003369-0001	2	CLIP: FLAT-FLEX CABLE
SR-004	1011216-0001	1	BRACKET: PLASTIC WIRE TRACK
SR-005	1002027-0001	1	RACK: LOCKING
SR-006	1005515-0001	1	ASSEMBLY: SEAT RAIL W/ DECAL
SR-008	0017-00101-2150	8	SCREW: M8 X 1.25 6G6H X 20, UHS, HXW, CS, ST, ZB
SR-009	1003388-0001	2	NUT: M8 X 1.25-6H, DIN, UNF, HEX, LOCKNUT
SR-010	1005398-0001	2	SCREW: M6 X 1.0 X 16, DIN, HEX, SOC, CS, ST, BO
SR-011	0017-00042-1147	2	GROMMET: SCREW, 8 OR 10
SR-012	1005361-0001	3	ADHESIVE: DOUBLE-SIDED TAPE
SR-013	0017-00101-1796	2	SCREW: M4.2 X 0.7 6G6G X 19, DIN, PHL, PAN, AB, ST, ZB

