

POWERMILL™ CLIMBER

95PS-ALLXM-XX04, 95PS-ALLXM-XX04PF

PMB, PMP

PARTS MANUAL



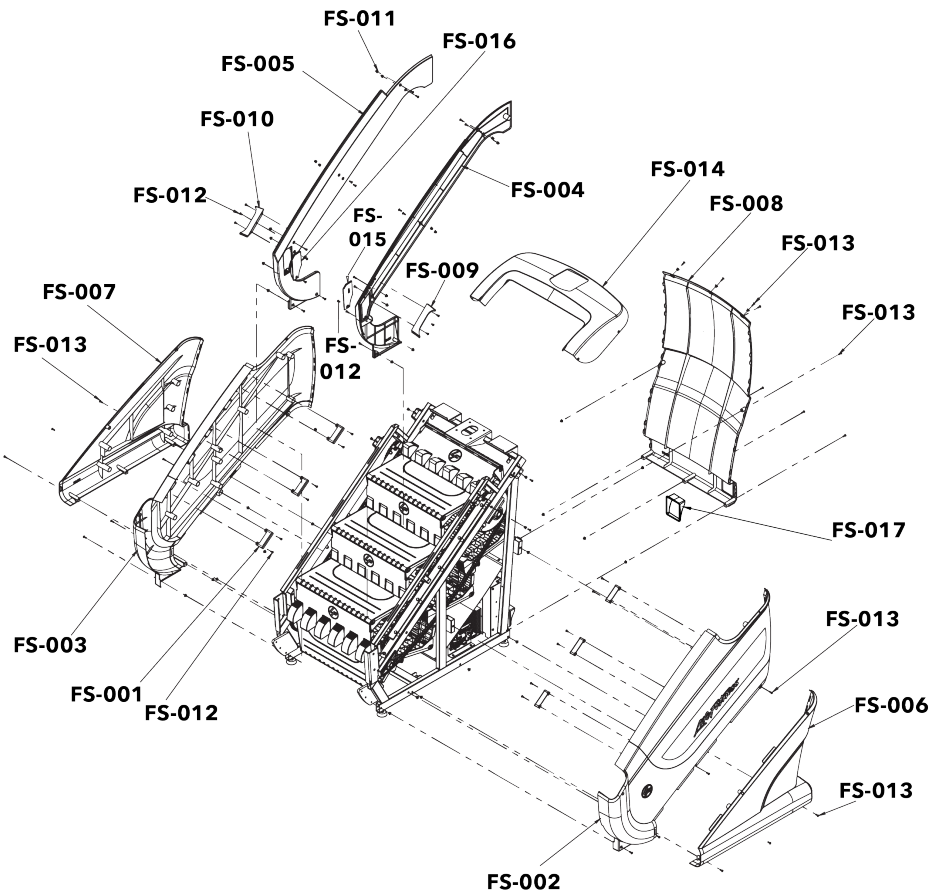
Table of Contents

Miscellaneous	1
Front & Side Shrouds	2
Console Cover & Cup Holders	3
Handlebars & Console Support	4
Accessory Trays & Handlebar Covers	6
Step Assists	7
Leg Levelers & Wheels	8
Motor & Brake	9
Base Electronics	11
Drive System	16
Step System	18
Wiring Diagrams	19
SL and Discover SE4 Console	21

Miscellaneous

Item	Alpha Code	Part Number	Description (Quantity)
MISC-001	PMB, PMP	9281100	CABLE TIE GROMMETS (20)
MISC-002	PMB, PMP	9284000	POWER CORD ADHESIVE PAD
MISC-003	PMB, PMP	0017-00003-1084	LINE CORD ARGENTINA HIGH VOLTAGE
MISC-004	PMB, PMP	0017-00003-1085	LINE CORD AUSTRALIA HIGH VOLTAGE
MISC-005	PMB, PMP	0017-00003-1083	LINE CORD BRAZIL HIGH VOLTAGE
MISC-006	PMB, PMP	0017-00003-1088	LINE CORD CHINA HIGH VOLTAGE
MISC-007	PMB, PMP	0017-00003-1086	LINE CORD CONT EUROPE HIGH VOLTAGE
MISC-008	PMB, PMP	0017-00003-1082	LINE CORD DOM LOW VOLTAGE
MISC-010	PMB, PMP	0017-00003-1087	LINE CORD UK HIGH VOLTAGE
MISC-010	PMB, PMP	9273600	STAR WASHER (2)
MISC-011	PMB, PMP	1005544-0001	LINE CORD DOM LOW VOLTAGE STRAIGHT PLUG. "OPTION SERVICE PART ONLY"

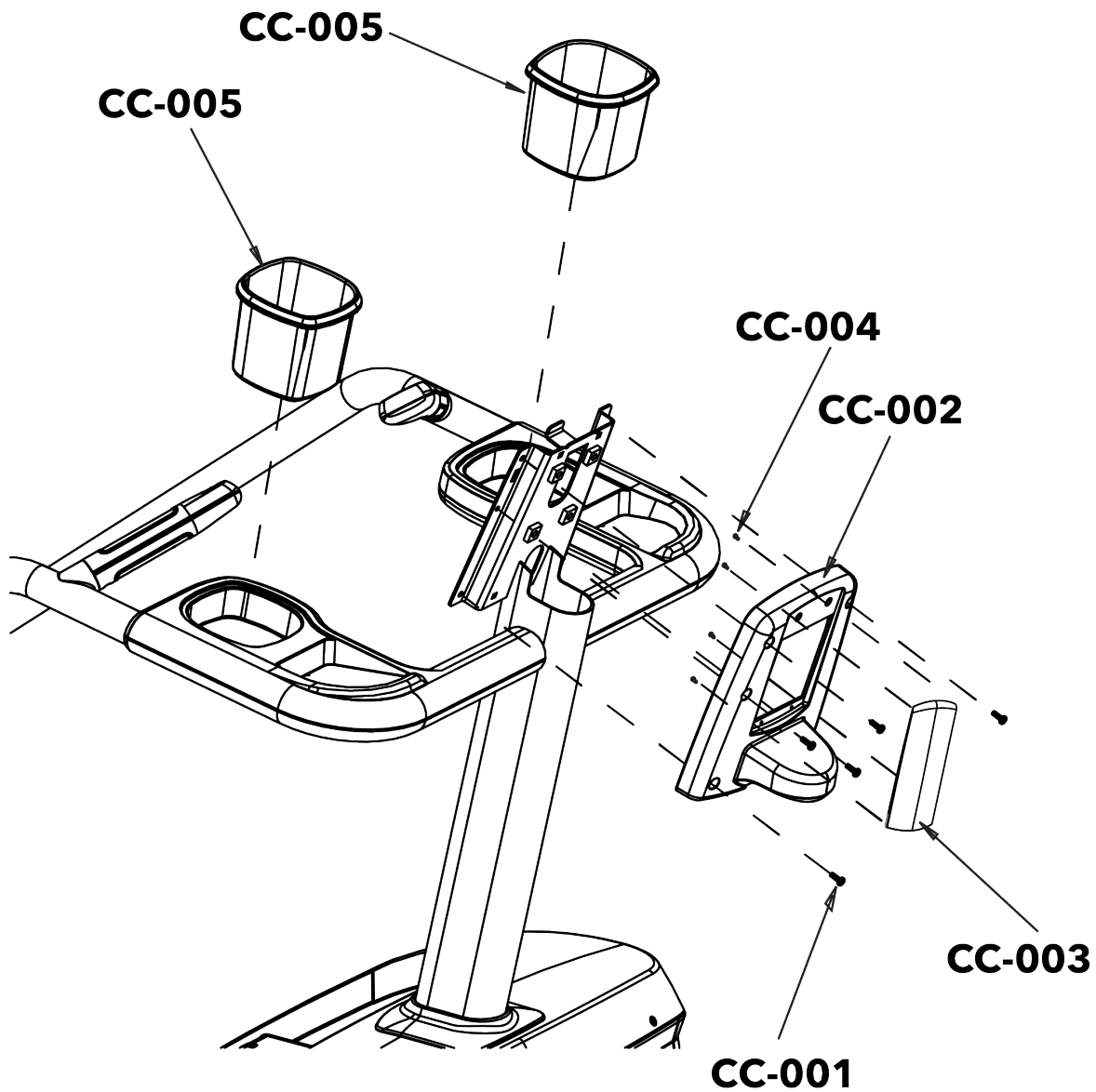
Front and Side Shrouds



Parts List

Item	Alpha Code	Part Number	Description (Quantity)
FS-001	PMB, PMP	9271400	BRKT; MTG TAB; SIDE SHROUD (6)
FS-002	PMB, PMP	9268600	ASSY; SHROUD; SIDE PANEL; UPPER RT
	PMP	1008392-0001	ASSY: SHROUD, SIDE PANEL, UPPER RT, PF
FS-003	PMB	9268700	ASSY: SHROUD, SIDE PANEL, UPPER LT
	PMP	1008393-0001	ASSY: SHROUD, SIDE PANEL, UPPER LT, PF
FS-004	PMB, PMP	9269200	ASSY: SHROUD, INNER PANEL, RT
FS-005	PMB, PMP	9269300	ASSY: SHROUD, INNER PANEL, LT
FS-006	PMB, PMP	9267700	SHROUD: SIDE PANEL, LOWER RT
FS-007	PMB, PMP	9267900	SHROUD: SIDE PANEL, LOWER LT
FS-008	PMB	9280300	ASSY: SHROUD, FRONT
	PMP	1008394-0001	ASSY: SHROUD, FRONT, PF
FS-009	PMB, PMP	9268300	SHROUD: INSERT REAR, RT
FS-010	PMB, PMP	9268400	SHROUD: INSERT REAR, LT
FS-011	PMB, PMP	0017-00042-1055	GROMMET: PLASTIC; #6 OR #8 (62)
FS-012	PMB, PMP	0017-00101-2068	M4 X 0.7-6G6G X 12 DIN PHL PAN MS ST ZB (32)
FS-013	PMB, PMP	9276700	M4 X 0.7-6G6G X 16 DIN PHL PAN MS ST BZ (47)
FS-014	PMB, PMP	9267500	SHROUD: TOP CAP
FS-015	PMB, PMP	9269400	PANEL: ACCESS, RT
FS-016	PMB, PMP	9269500	PANEL: ACCESS, LT
FS-017	PMB, PMP	1007629-0001	SHROUD: POWER ENTRANCE, POWERMILL

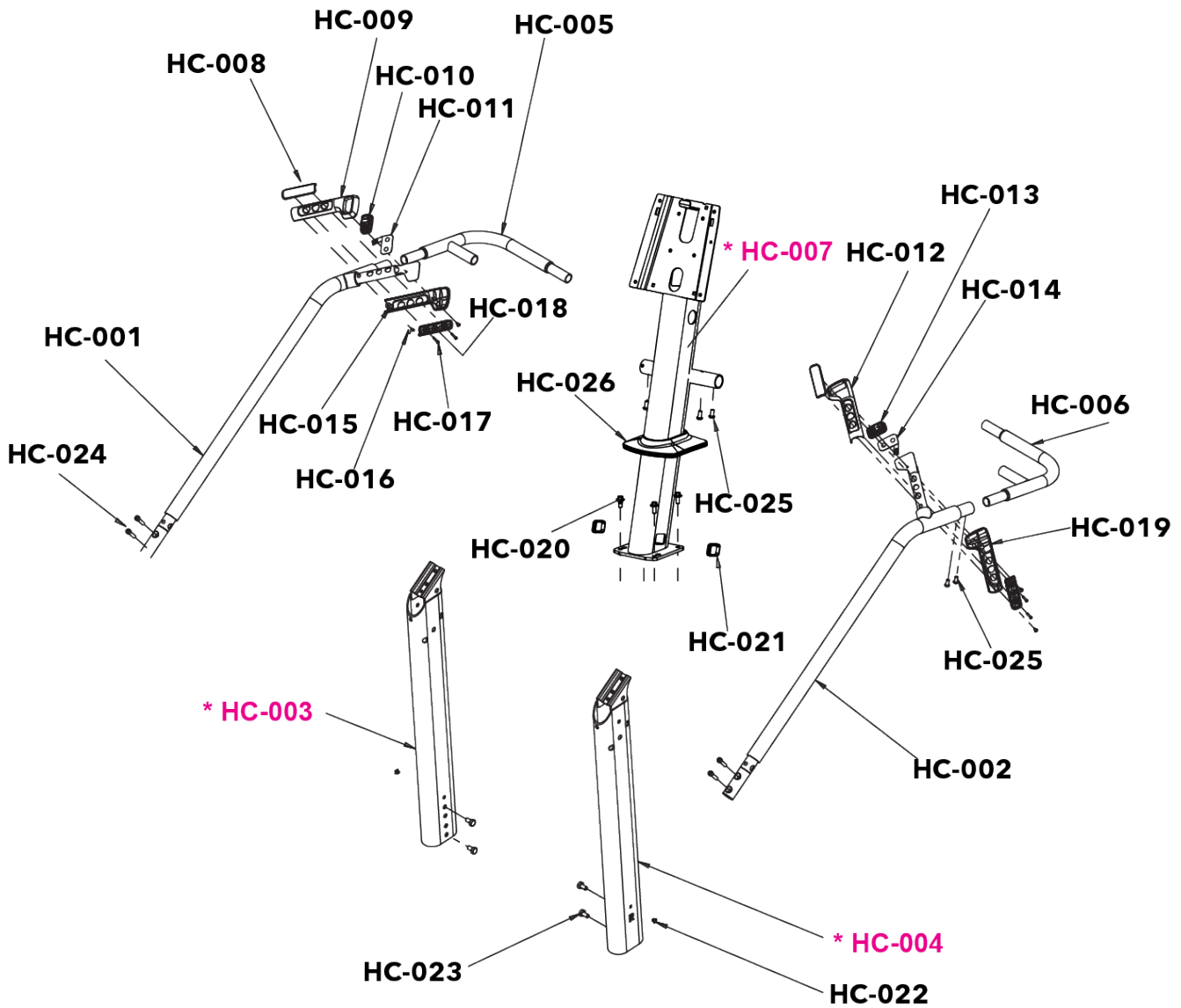
Console Cover & Cup Holders




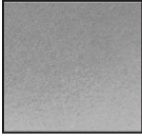




Parts List

Item	Alpha Code	Part Number	Description (Quantity)
CC-001	PMB, PMP	0017-00101-1940	SCREW: M5 X 0.8 X 14 PHL PAN MS ST ZN (5)
CC-002	PMB, PMP	1017292-0001	COVER: CONSOLE JUNCTION DISCOVER
CC-003	PMB, PMP	AK92-00059-XXXX	ASSY: MIDDLE SHROUD; CONSOLE; APOLLO 2
CC-004	PMB, PMP	0017-00101-1275	6-19X6 PHL PAN PLT G5 ZN (4)
CC-005	PMB, PMP	0K67-01055-2400	CUP: ACCESSORY; PURCH (2)

Handlebars & Console Support



- * HC-003
- * HC-004
- * HC-007

					
Pearlescent White	Arctic Silver	Titanium	Charcoal Gray	Black Onyx	Purple

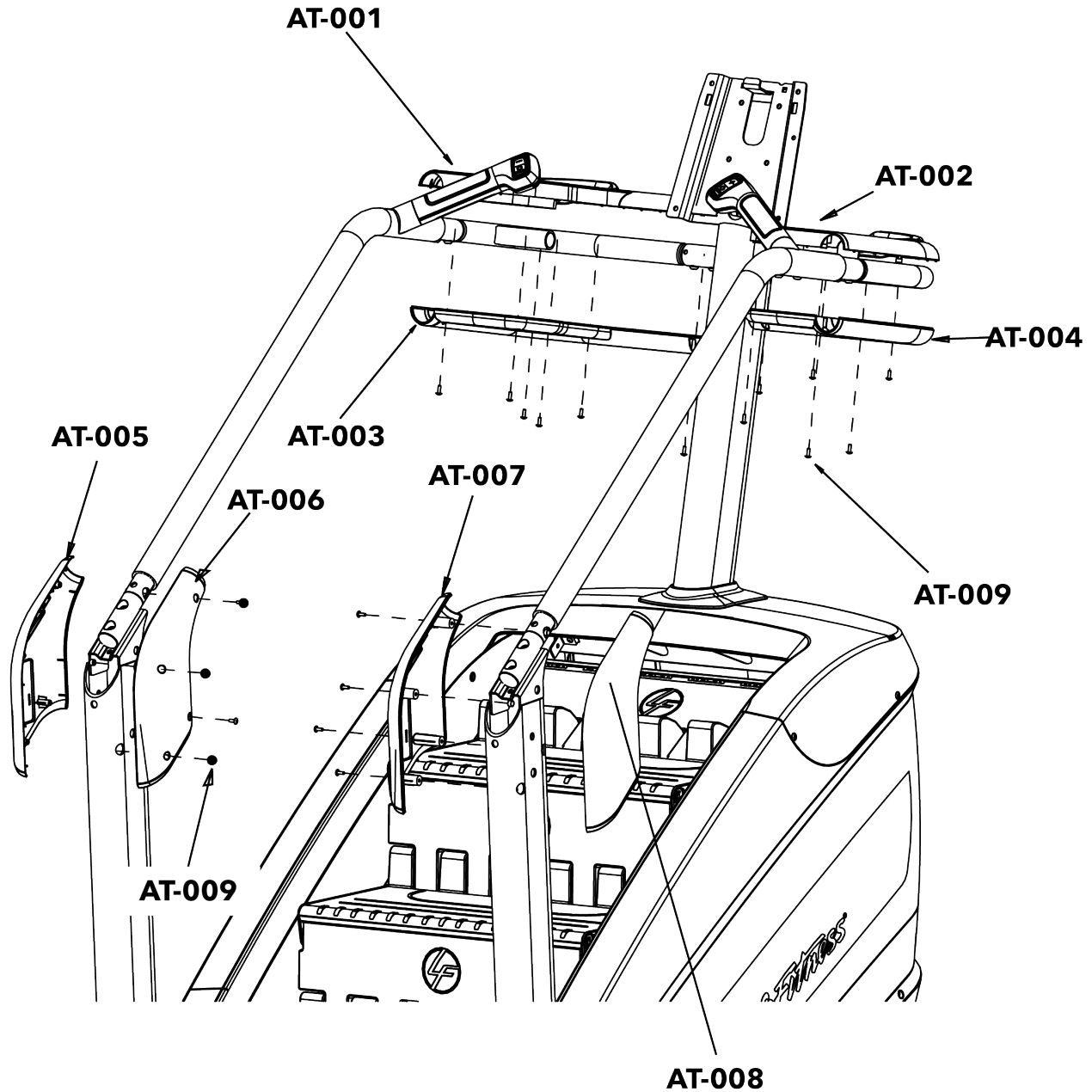
Parts listed on following page.

Handlebars & Console Support (continued)

Parts List

Item	Alpha Code	Part Number	Description (Quantity)
HC-001	PMB, PMP	9260400	WLDMT; HANDLEBAR REAR LT, DIPPED
HC-002	PMB, PMP	9259400	WLDMT; HANDLEBAR REAR RT, DIPPED
HC-003	PMB	9281551	ASSY, REAR HANDLEBAR SUPPORT LT, ARCTIC SILVER
	PMP	9281558	ASSY: REAR HANDLEBAR SUPPORT LT, PURPLE
	PMB	9281571	ASSY: REAR HANDLEBAR SUPPORT LT, PEARLESCENT WHITE
	PMB	9281572	ASSY: REAR HANDLEBAR SUPPORT LT, TITANIUM
	PMB	9281573	ASSY: REAR HANDLEBAR SUPPORT LT, BLACK ONYX
	PMB	9281553	ASSY: REAR HANDLEBAR SUPPORT LT, (CHARCOAL GREY)
HC-004	PMB	9281451	ASSY: REAR HANDLEBAR SUPPORT RT, ARCTIC SILVER
	PMP	9281458	ASSY: REAR HANDLEBAR SUPPORT RT, PURPLE
	PMB	9281471	ASSY: REAR HANDLEBAR SUPPORT RT, PEARLESCENT WHITE
	PMB	9281472	ASSY: REAR HANDLEBAR SUPPORT RT, TITANIUM
	PMB	9281473	ASSY: REAR HANDLEBAR SUPPORT RT, BLACK ONYX
	PMB	9281453	ASSY: REAR HANDLEBAR SUPPORT RT, (CHARCOAL GREY)
HC-005	PMB, PMP	9276500	WLDMT; HANDLEBAR FRONT LT
HC-006	PMB, PMP	9259700	WLDMT; HANDLEBAR FRONT RT
HC-007	PMB	1007137-5100	ASSY: UPRIGHT CONSOLE MTG, HERCULES, ARCTIC SILVER
	PMP	1007137-5800	ASSY: UPRIGHT CONSOLE MTG, HERCULES, PURPLE
	PMB	1007137-7100	ASSY: UPRIGHT CONSOLE MTG, HERCULES, PEARLESCENT WHITE
	PMB	1007137-7200	ASSY: UPRIGHT CONSOLE MTG, HERCULES, TITANIUM
	PMB	1007137-7300	ASSY: UPRIGHT CONSOLE MTG, HERCULES, BLACK ONYX
	PMB	1007137-5300	ASSY: UPRIGHT CONSOLE MTG, HERCULES, CHARCOAL GREY
HC-008	PMB, PMP	9281200	ELECTRODE, INSERT-MOLDED, TOP (2)
HC-009	PMB, PMP	9275400	ASSY; ERGO GRIP TOP LT
HC-010	PMB, PMP	1008051-0001	ASSY: BUTTON MODULE SPEED DOWN/STOP
HC-011	PMB, PMP	9584000	KEYPAD; MEMBRANE ERGOBAR LT
HC-012	PMB, PMP	9275300	ASSY; ERGO GRIP TOP RT
HC-013	PMB, PMP	1008050-0001	ASSY: BUTTON MODULE SPEED UP/STOP
HC-014	PMB, PMP	9583900	KEYPAD; ERGOBAR RIGHT
HC-015	PMB, PMP	9260300	GRIP: HANDLE; ERGO BAR BTM LT
HC-016	PMB, PMP	0017-00101-2068	M4 X 0.7-6G6G X 12 DIN PHLPAN SCREW (4)
HC-017	PMB, PMP	REX2NAD	SCREW, PHL HD M4 X 18-28 (HAND SENSOR SCREW (4)
HC-018	PMB, PMP	9281300	ELECTRODE, INSERT-MOLDED, BOTTOM, CHRL (2)
HC-019	PMB, PMP	9259300	GRIP: HANDLE; ERGO BAR BTM RT
HC-020	PMB, PMP	0017-00101-2091	M8 X 1.25-6G6G X 16 DIN UNS HWX L CS ST ZS (CONSOLE SUPPORT BOLT) (4)
HC-021	PMB, PMP	REX2NEK	GROMMET, 38MM X 25MM (2)
HC-022	PMB, PMP	0017-00042-1055	GROMMET (#6 or #8) (2)
HC-023	PMB, PMP	REX2DVG	BOLT, HEX M10 X 1.5-20 (HANDLEBAR SUPPORT BOLT) (4)
HC-024	PMB, PMP	9273300	SCREW; SHCS; M8-1.25 X 35 BZ (REAR HANDLEBAR BOLT) (4)
HC-025	PMB, PMP	0017-00101-2007	M8 X 1.25-6G6G X 16 DIN HEX BUT L CS CT (FRONT HANDLEBAR BOLT) (4)
HC-026	PMB, PMP	9268500	GASKET, TOP CAP (CONSOLE SUPPORT GASKET)

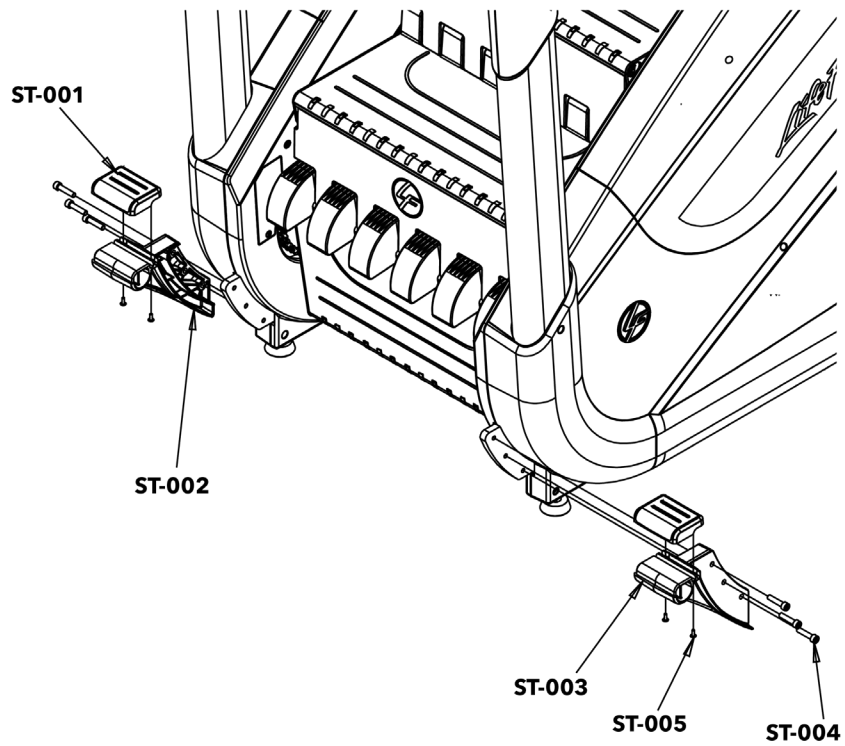
Accessory Trays & Handlebar Covers



Parts List

Item	Alpha Code	Part Number	Description (Quantity)
AT-001	PMB, PMP	9277800	ASSY; TRAY; ACCESSORY TOP LT
AT-002	PMB, PMP	9277900	ASSY; TRAY; ACCESSORY TOP RT
AT-003	PMB, PMP	9585200	TRAY; ACCESSORY BTM LT
AT-004	PMB, PMP	9585300	TRAY; ACCESSORY BTM RT
AT-005	PMB, PMP	9276900	ASSY COVER; REAR HANDLEBAR JUNCTION; OUTER LT
AT-006	PMB, PMP	9269100	COVER; REAR HANDLEBAR JUNCTION; INNER LT
AT-007	PMB, PMP	9268900	COVER; REAR HANDLEBAR JUNCTION; INNER RT
AT-008	PMB, PMP	9276800	ASSY COVER; REAR HANDLEBAR JUNCTION; OUTER RT
AT-009	PMB, PMP	0017-00101-2068	M4 X 0.7-6G6G X 12 DIN PHL PAN MS ST ZB (18)

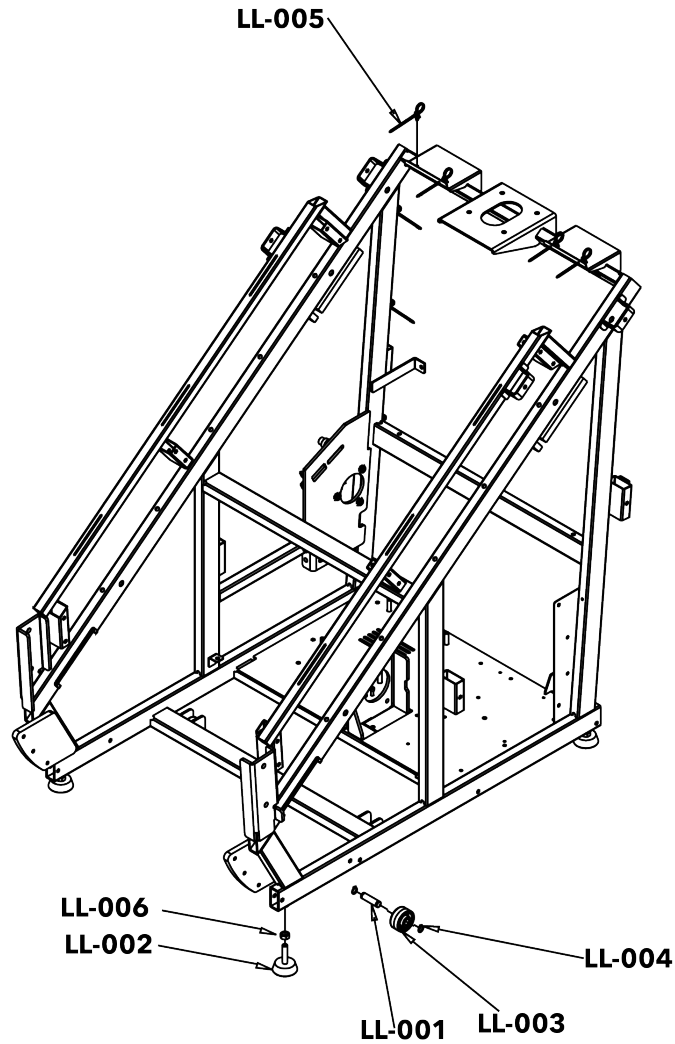
Step Assists



Parts List

Item	Alpha Code	Part Number	Description (Quantity)
ST-001	PMB, PMP	9278500	ASSY; CAP; STEP ASSIST (2)
ST-002	PMB, PMP	9278300	CASTING; STEP ASSIST LT
ST-003	PMB, PMP	9278200	CASTING; STEP ASSIST RT
ST-004	PMB, PMP	9273300	SCREW; SHCS; M8-1.25 X 35 BZ (STEP ASSIST MTG BOLT) (6)
ST-005	PMB, PMP	0017-00101-2068	M4 X 0.7-6G6G X 12 DIN PHL PAN MS ST ZB (STEP ASSIST CAP SCREW) (4)

Leg Levelers & Wheels

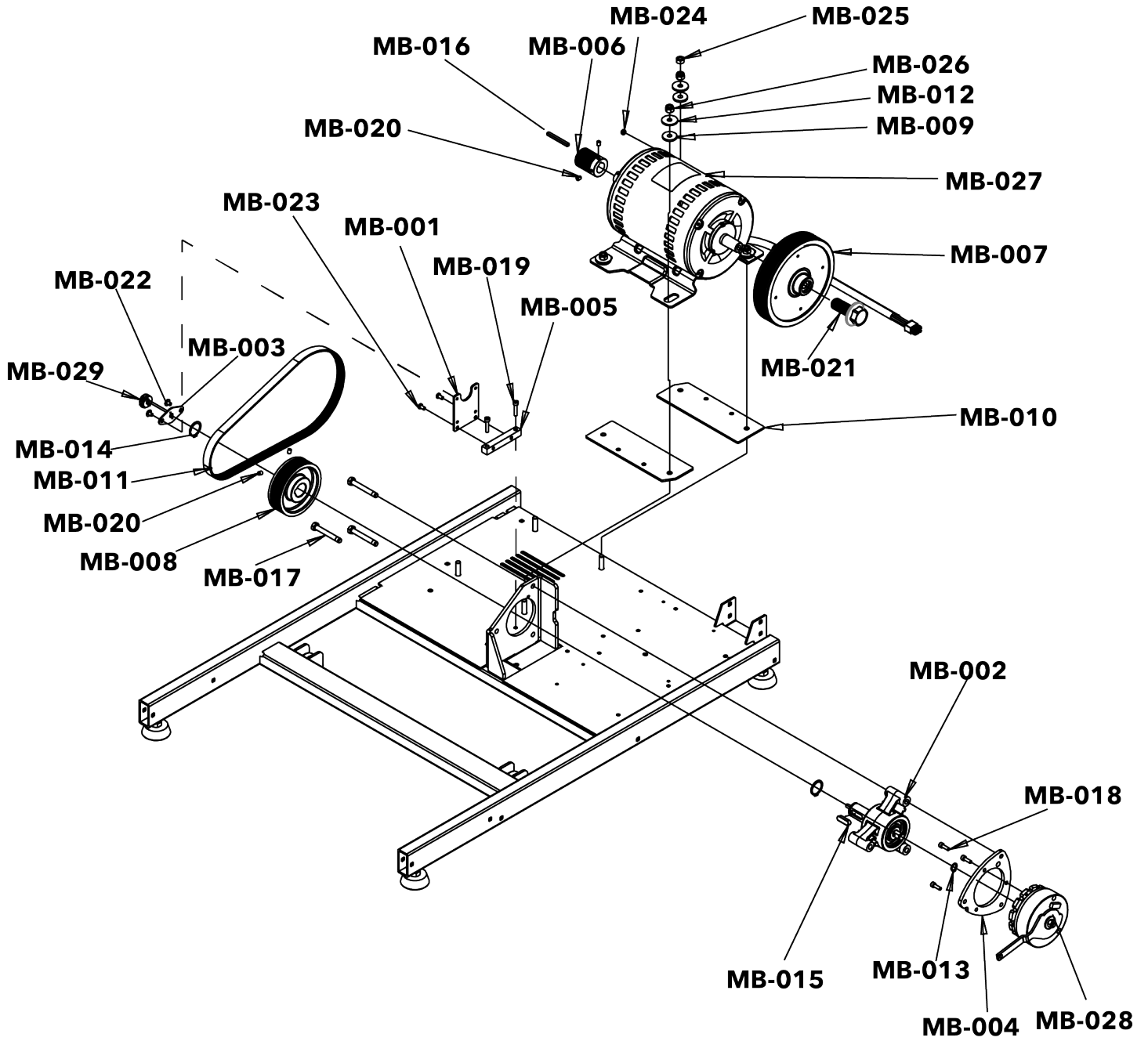


Parts List

Item	Alpha Code	Part Number	Description (Quantity)
LL-001	PMB, PMP	9257000	SHAFT: FRAME, WHEEL, UPRIGHT (4)
LL-002	PMB, PMP	0K76-01086-0000	LEVELER: LEG (4)
LL-003	PMB, PMP	REX2AX2	WHEEL - FLOOR ROLLER (4)
LL-004	PMB, PMP	9282000	RETAINING RING: 12MM X 1MM (8)
LL-005	PMB, PMP	9281100	GROMMET: CABLE TIE, 4.5MM PLT (7)
LL-006	PMB, PMP	0017-00103-0384	NUT: M10 X 1.5 JAM

Motor & Brake

Parts listed on following page.

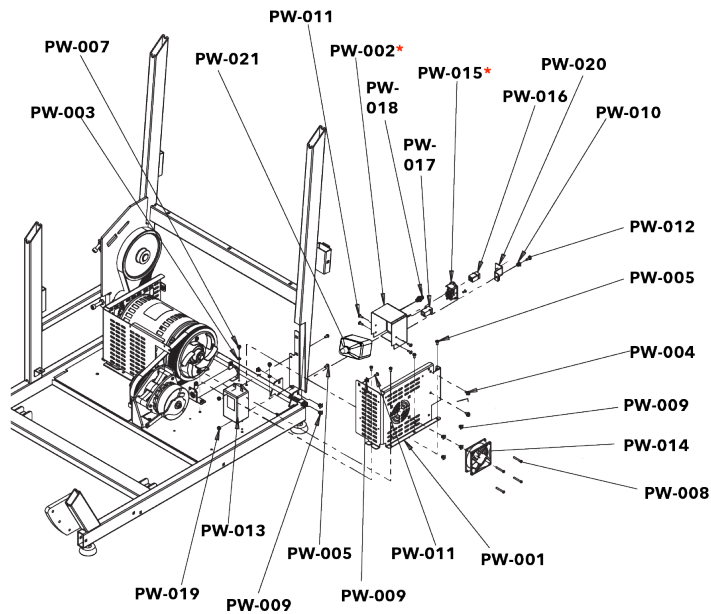


Motor & Brake (continued)

Parts List

Item	Alpha Code	Part Number	Description (Quantity)
MB-001	PMB, PMP	9247900	PLATE: MTG, ENCODER
MB-002	PMB, PMP	9267200	ASSY: BEARING HUB BRAKE DRIVE
MB-003	PMB, PMP	9271300	PLATE: MTG, ENCODER ALIGNMENT
MB-004	PMB, PMP	9262700	PLATE: BRAKE MTG
MB-005	PMB, PMP	9271900	BAR: STEEL, BASE, ENCODER MTG.
MB-006	PMB, PMP	9282800	PULLEY: MOTOR 1.37 O.D.
MB-007	PMB, PMP	9246100	FLYWHEEL: CAST IRON, V-RIBS
MB-008	PMB, PMP	9262100	PULLEY: 4IN DIA, 10 V-RIB
MB-009	PMB, PMP	0K58-01255-0000	WASHER; INSULATING SHOULDER (4)
MB-010	PMB, PMP	0K58-01256-0001	PAD; INSULATING (2)
MB-011	PMB, PMP	9248000	BELT: J SERIES, 6 RIB
MB-012	PMB, PMP	9271700	WASHER: STEEL 8MM ID X 28MM OD X 2.5MM THK (4)
MB-013	PMB, PMP	9282000	RING: RETAINING (9)
MB-014	PMB, PMP	9274700	RETAINING RING, 25MM SHAFT EXTERNAL (2)
MB-015	PMB, PMP	9280000	KEY: 8MM X 7MM X 28MM LG OVAL
MB-016	PMB, PMP	9280100	KEY: .188 SQ X 1.85" LONG
MB-017	PMB, PMP	9285400	SCREW: M8 X 1.0-6G6G X 60 DIN HEX L CS ST ZS (3)
MB-018	PMB, PMP	9272800	SCREW: SHCS, M5-0.8 X 16 BZ (3)
MB-019	PMB, PMP	9272100	SCREW: SHCS, 5MM X 25 BZ (2)
MB-020	PMB, PMP	9282700	SCREW; SET M6-1 X 8 CUP POINT BZ (4)
MB-021	PMB, PMP	1005547-0001	SCREW: M10 X 1.50 6G6H X 25, UNS, FLG, CS, ST, ZB, W/PATCH
MB-022	PMB, PMP	9272300	SCREW: M5-0.8 X 8 PHL BTN BZ (2)
MB-023	PMB, PMP	9272200	SCREW: M5-0.8 X 10 PHL PAN BZ (2)
MB-024	PMB, PMP	0017-00103-0385	NUT: M5 X 0.8-6H6H DIN ST ZB
MB-025	PMB, PMP	0017-00103-0328	NUT: M8 X 1.25 JAM D ST ZN
MB-026	PMB, PMP	9282400	NUT: M8 X1.25 , NYLON LOCKING DIN ST CZ (4)
MB-027	PMB, PMP	1002167-0000	MOTOR: AC, 4HP, INDUCTION
MB-028	PMB, PMP	9246300	BRAKE: POWER BRAKE WITH BRAKE CABLE ATTACHED
MB-029	PMB, PMP	9587500	ENCODER KIT

Base Electronics



* NOTE: For units prior to Serial Numbers (-03) PMH115305, (PF Version) PFH103828, (Retro Version) PMJ100019: if replacing items **PW-002** or **PW-015**, they must both be replaced together!

For **1010669-0001** KIT: POWER INLET REWORK, POWERMILL, -01, -02 and -03 UNITS:
See [Service Bulletin PM180625 - Life Fitness PowerMill Power Entrance Panel Rework](#) Knowledge Base article for more details.

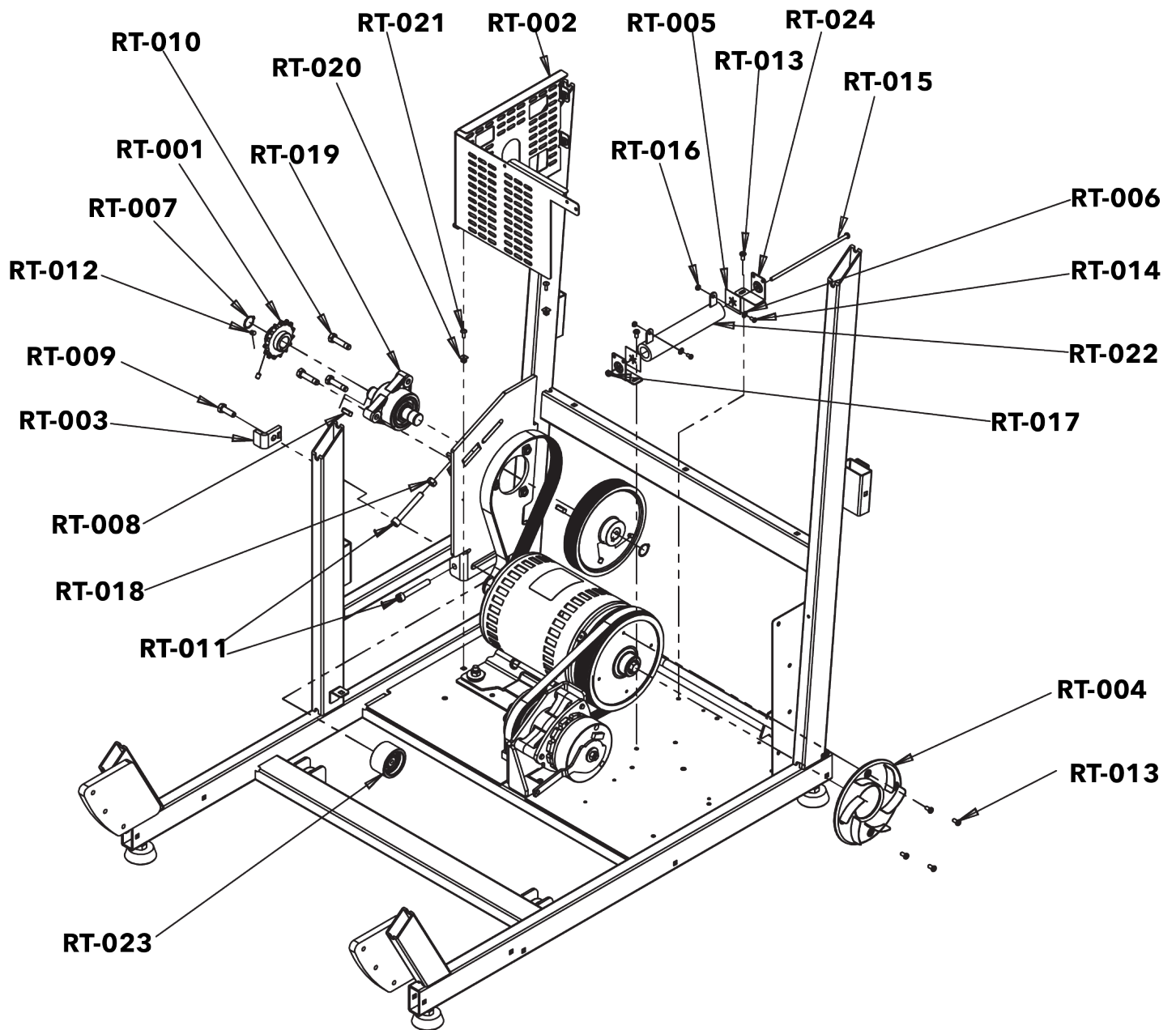
Prior to Serial Numbers -04 PMB101107 and (PF Version) PMP100655.
If replacing items PW-002 or PW-015, They must both be replaced together.

Parts List

Item	Alpha Code	Part Number	Description (Quantity)
PW-001	PMB, PMP	1006536-0001	WLDMT: SHIELD MDB SUPPORT
PW-002	PMB, PMP	1021123-0001	BRKT: POWER ENTRANCE, IEC/SWITCH
PW-003	PMB, PMP	9273600	WASHER: 5MM EXTERNAL STAR CZ (4)
PW-004	PMB, PMP	0017-00101-2070	M5 X 0.8-6G6G X 10 DIN UNS HXW CS ST ZB (2)
PW-005	PMB, PMP	9272200	SCREW: M5-0.8 X 10 PHL PAN BZ (14)
PW-007	PMB, PMP	9285200	SCREW: M5 X 0.8 6G6G X 6 DIN HWS ST GND GZ (2)
PW-008	PMB, PMP	9278700	SCREW: M4 X 0.7-6G6G X 30 DIN PHL PAN MS ST ZB (4)
PW-009	PMB, PMP	0017-00042-1055	GROMMET: PLASTIC; #6 OR #8 (11)
PW-010	PMB, PMP	0017-00042-1147	GROMMET: SCREW; 8 OR 10
PW-011	PMB, PMP	0017-00101-2068	M4 X 0.7-6G6G X 12 DIN PHL PAN MS ST ZB (7)
PW-012	PMB, PMP	0017-00101-1776	10-16X 8 PHL PAN B ST ZB
PW-013	PMB, PMP	0017-00003-1089	FILTER: LINE, 16A, 250VAC
PW-014	PMB, PMP	9264300	FAN; 80MM X 80MM
PW-015	PMB, PMP	1021122-0001	IEC INLET: C-14 WITH LINE SWITCH 2-POLE
PW-016	PMB, PMP	0017-00021-3195	COUPLER: CAT5E SHIELDED RJ45
PW-017	PMB, PMP	0017-00021-2847	COUPLER: MODULAR 8 POS, CATEGORY 5E PANEL MOUNT
PW-018	PMB, PMP	0017-00021-2846	F-CONNECTOR: COAX, PANEL MOUNT
PW-019	PMB, PMP	0017-00103-0350	NUT:M5 X0.8-6H6H DIN S HEX ST ZN (2)
PW-020	PMB, PMP	9251000	BRKT: LINE CORD RETAINER
PW-021	PMB, PMP	1021121-0001	COVER: IEC/SWITCH MODULE, REAR

Base Electronics (continued)

Parts listed on following page.

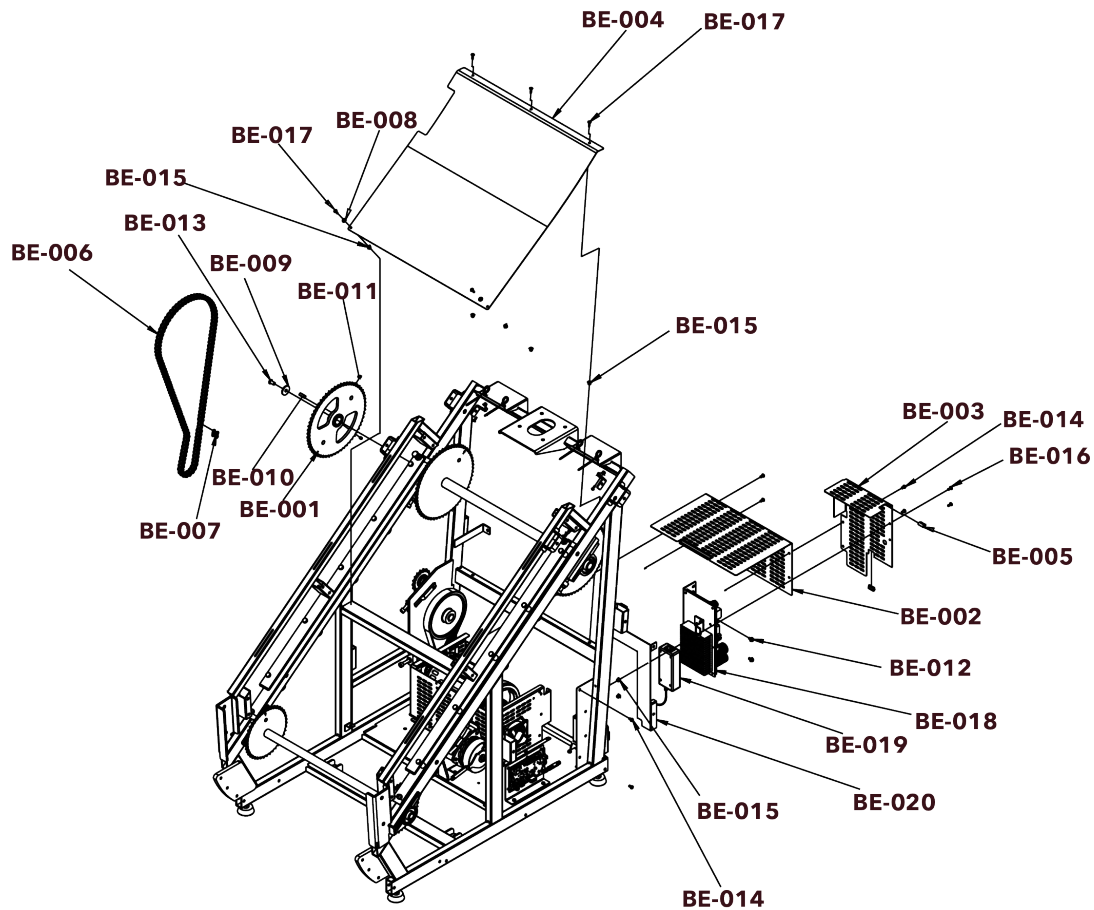


Base Electronics (continued)

Parts List

Item	Alpha Code	Part Number	Description (Quantity)
RT-001	PMB, PMP	9276300	WELDMENT: SPROCKET, SMALL, DRIVE
RT-002	PMB, PMP	1002910-0001	WLDMT: MOTOR ELECTRICAL SHROUD
RT-003	PMB, PMP	9279500	BRKT: PUSH BAR, TENSIONER, BELT
RT-004	PMB, PMP	9275000	FAN: FLYWHEEL
RT-005	PMB, PMP	9286700	INSULATOR: FISHPAPER .030 THK (2)
RT-006	PMB, PMP	9273600	WASHER: 5MM EXTERNAL STAR CZ (2)
RT-007	PMB, PMP	0017-00100-0242	RETAINING RING 5101-98 (2)
RT-008	PMB, PMP	9272400	KEY: 6MM X 6MM X 20 LG OVAL (2)
RT-009	PMB, PMP	9279700	SCREW: M8 X 1.25-6G6G X 25 DIN HEX CS ST ZB
RT-010	PMB, PMP	9269600	SCREW: M8 X 1.25-6G6G X 35 DIN HEX L CS ST ZB (3)
RT-011	PMB, PMP	9285500	SCREW: M8 X 1.25-6G6G X 60 DIN SOC CS ST ZB (2)
RT-012	PMB, PMP	9282700	SCREW; SET M6-1 X 8 CUP POINT BZ (8)
RT-013	PMB, PMP	9272200	SCREW: M5-0.8 X 10 PHL PAN BZ (8)
RT-014	PMB, PMP	0017-00101-2095	M4 X 0.7-6G6G X 8 DIN PHL PAN MS ST ZS (2)
RT-015	PMB, PMP	0017-00101-2072	M5 X 0.8-6G6G X 170 DIN PHL PAN MS ST ZB
RT-016	PMB, PMP	0017-00103-0388	NUT: M4 X 0.7-6H6H DIN ST ZS (2)
RT-017	PMB, PMP	0017-00103-0385	NUT: M5 X 0.8-6H6H DIN ST ZB
RT-018	PMB, PMP	0017-00103-0328	NUT: M8 X 1.25 JAM D ST ZN
RT-019	PMB, PMP	9267300	ASSY: BEARING HUB STEP DRIVE
RT-020	PMB, PMP	0017-00042-1055	GROMMET: PLASTIC; #6 OR #8 (2)
RT-021	PMB, PMP	0017-00101-2068	M4 X 0.7-6G6G X 12 DIN PHL PAN MS ST ZB (2)
RT-022	PMB, PMP	100E-00002-0099	RESISTOR: WIRE WOUND, 100OHM, 300WATT, PAINTED
RT-023	PMB, PMP	9314600	ASSY: ROLLER TENSIONER
RT-024	PMB, PMP	9273500	BRKT; RESISTOR MTG (2)
RT-025	PMB, PMP	9249800	PULLEY, 6.2IN DIA, 10 V-RIB
RT-026	PMB, PMP	9251400	BELT, J-SERIES, 10 RIB

Base Electronics (continued)

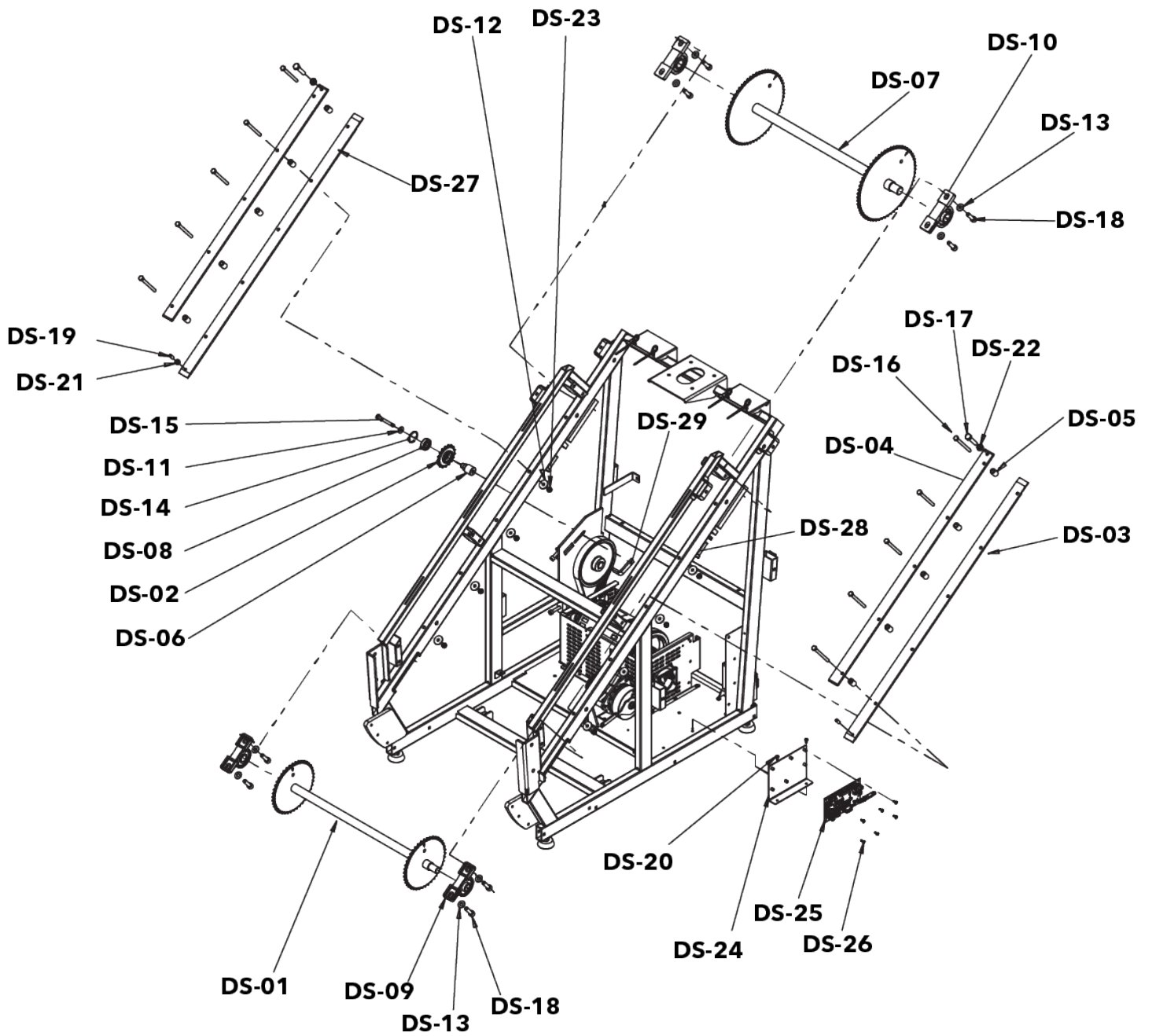


Parts List

Item	Alpha Code	Part Number	Description (Quantity)
BE-001	PMB, PMP	9248500	WLDMT: LARGE SPROCKET
BE-002	PMB, PMP	1002907-0001	COVER: INTERNAL, BOX TOP
BE-003	PMB, PMP	1002904-0001	COVER: MOTOR CONTROLLER SHROUD
BE-004	PMB, PMP	9274800	SHEET: FORMED SHIELD
BE-005	PMB, PMP	9284300	GROMMET: EDGE 20MM WIDE (2)
BE-006	PMB, PMP	9251300	CHAIN: 40 SERIES
BE-007	PMB, PMP	9284600	ASSY: MASTER LINK 40 SERIES O-RING CHAIN (3)
BE-008	PMB, PMP	9284400	WASHER: STEEL 4.8MM ID X 11.9MM OD X .8MM THK (2)
BE-009	PMB, PMP	9282600	WASHER; STEEL 8MM ID X 30MM OD X 3MM THK
BE-010	PMB, PMP	9282200	KEY; 8MM X 7MM X 22MM
BE-011	PMB, PMP	9282700	SCREW; SET M6-1 X 8 CUP POINT BZ (10)
BE-012	PMB, PMP	0017-00101-2070	M5 X 0.8-6G6G X 10 DIN UNS HXW CS ST ZB (2)
BE-013	PMB, PMP	9286500	M8 X 1.0 6G6G X 16 DIN HEX BUT L CS ST BZ.
BE-014	PMB, PMP	9272200	SCREW: M5-0.8 X 10 PHL PAN BZ (22)
BE-015	PMB, PMP	0017-00042-1055	GROMMET: PLASTIC; #6 OR #8 (20)
BE-016	PMB, PMP	0017-00101-2068	M4 X 0.7-6G6G X 12 DIN PHL PAN MS ST ZB (12)
BE-017	PMB, PMP	9276700	M4 X 0.7-6G6G X 16 DIN PHL PAN MS ST BZ (5)
BE-018	PMB, PMP	1003844-0002	ASSEMBLY: MDB, PC BOARD ASSY, POWERMILL
BE-019	PMH, PFH, PMJ	1011106-0001	POWER SUPPLY: 24VDC, 5A
BE-020	PMB, PMP	1006539-0001	WLDMT: COVER, MOTOR CONTROLLER, BACK

Drive System

Parts listed on following page.

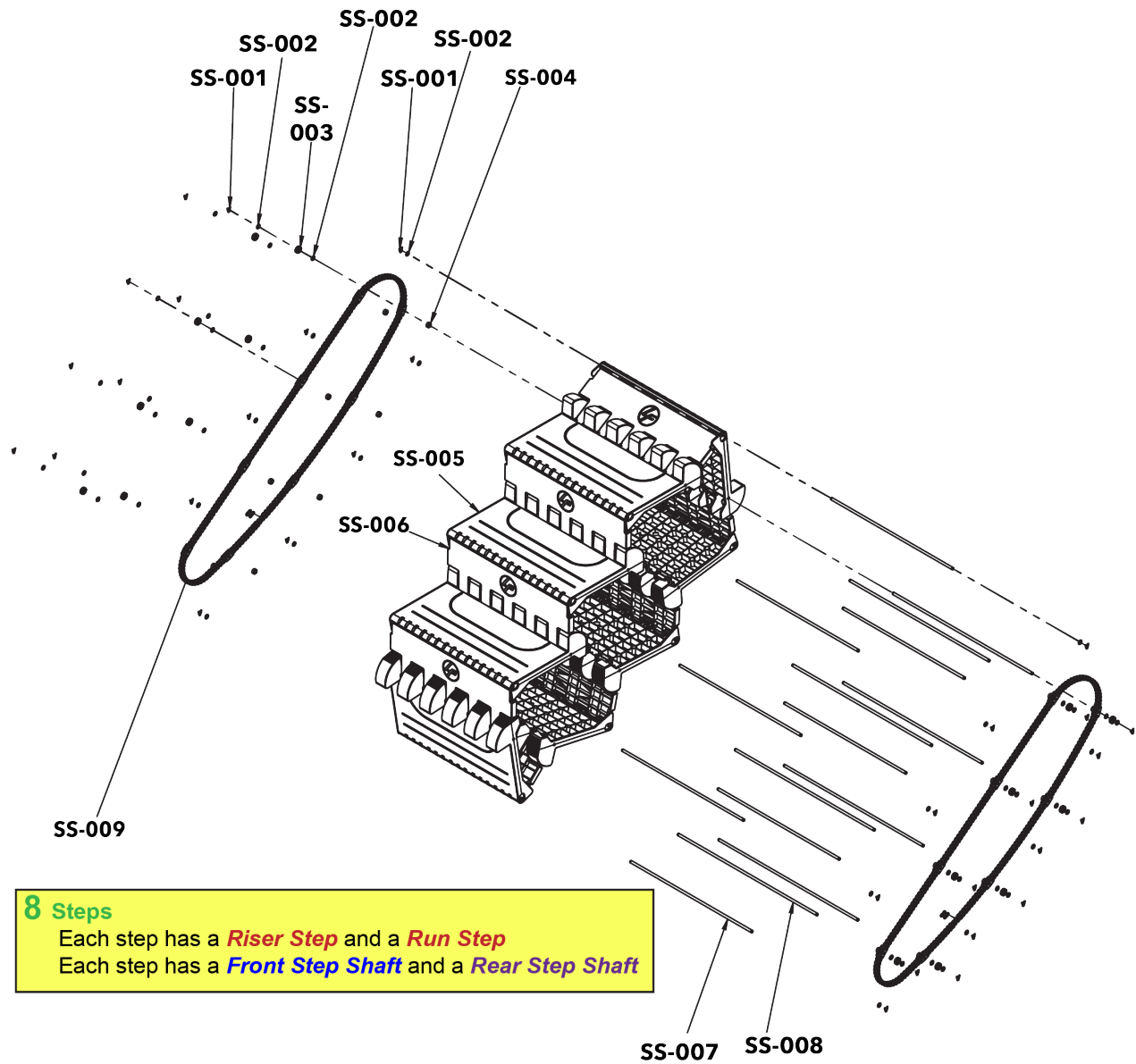


Drive System (continued)

Parts List

Item	Alpha Code	Part Number	Description (Quantity)
DS-01	PMB, PMP	9255000	WLDMT; SHAFT LOWER (SPROCKET ASSY)
DS-02	PMB, PMP	9273800	WELDMENT: SPROCKET TENSIONER
DS-03	PMB, PMP	9255100	BAR: WEAR LOWER RT
DS-04	PMB, PMP	9255200	BAR: WEAR TOP (2)
DS-05	PMB, PMP	9255300	SPACER: TRACK END MOUNTS (10)
DS-06	PMB, PMP	9274400	SPACER: SPROCKET, TENSIONER
DS-07	PMB, PMP	9248400	WLDMT, MAIN AXLE
DS-08	PMB, PMP	9274300	BRG: BAL, 6202ZZ 15MM X 35MM X 11MM
DS-09	PMB, PMP	9254700	PILLOW BLOCK: P204 (2)
DS-10	PMB, PMP	9282100	PILLOW BLOCK P205 (2)
DS-11	PMB, PMP	9271600	WASHER: STEEL 8MM ID X 20MM OD X 3MM THK
DS-12	PMB, PMP	9271700	WASHER: STEEL 8MM ID X 28MM OD X 2.5MM THK (12)
DS-13	PMB, PMP	9271800	WASHER: STEEL 10MM ID X 22MM OD X 2MM THK (8)
DS-14	PMB, PMP	9274200	RING: INTERNAL 35MM BORE
DS-15	PMB, PMP	9282900	SCREW: M8 X 1.25-6G6G X 65 DIN HEX L CS ST ZB
DS-16	PMB, PMP	9272700	SCREW: M8 X 1.0-6G6G X 95 DIN HEX L CS ST ZS (10)
DS-17	PMB, PMP	9285600	M10 X 1.5-6G6G X 50 DIN HEX CS ST ZN BOLT (2)
DS-18	PMB, PMP	9273000	SCREW: SHCS; M10-1.5 X 35 BZ (8)
DS-19	PMB, PMP	9273200	SCREW: SET M8-1.25 X 20 CUP POINT BZ (2)
DS-20	PMB, PMP	9272200	SCREW: M5-0.8 X 10 PHL PAN BZ (16)
DS-21	PMB, PMP	0017-00103-0328	NUT: M8 X 1.25 JAM D ST ZN (2)
DS-22	PMB, PMP	0017-00103-0384	NUT: M10 X 1.5 JAM (2)
DS-23	PMB, PMP	9274500	NUT: M8, NYLON LOCKING LOW HEIGHT ST CZ (8)
DS-24	PMB, PMP	1006540-0001	ASSY: BRKT SIB SUPPORT
DS-25	PMB, PMP	1016928-0012	PCB ASSY: McFLY POWERMILL SIB
DS-26	PMB, PMP	0017-00101-1968	M4 X 0.7 X 10 PHL PAN TT ST ZS (6)
DS-27	PMB, PMP	9283600	BAR: WEAR LOWER LT
DS-28	PMB, PMP	9272900	SCREW; SHCS; M8-1.25 X 45 BZ
DS-29	PMB, PMP	9274100	BRKT; TENSIONER PUSH ARM

Step System



8 Steps
 Each step has a **Riser Step** and a **Run Step**
 Each step has a **Front Step Shaft** and a **Rear Step Shaft**

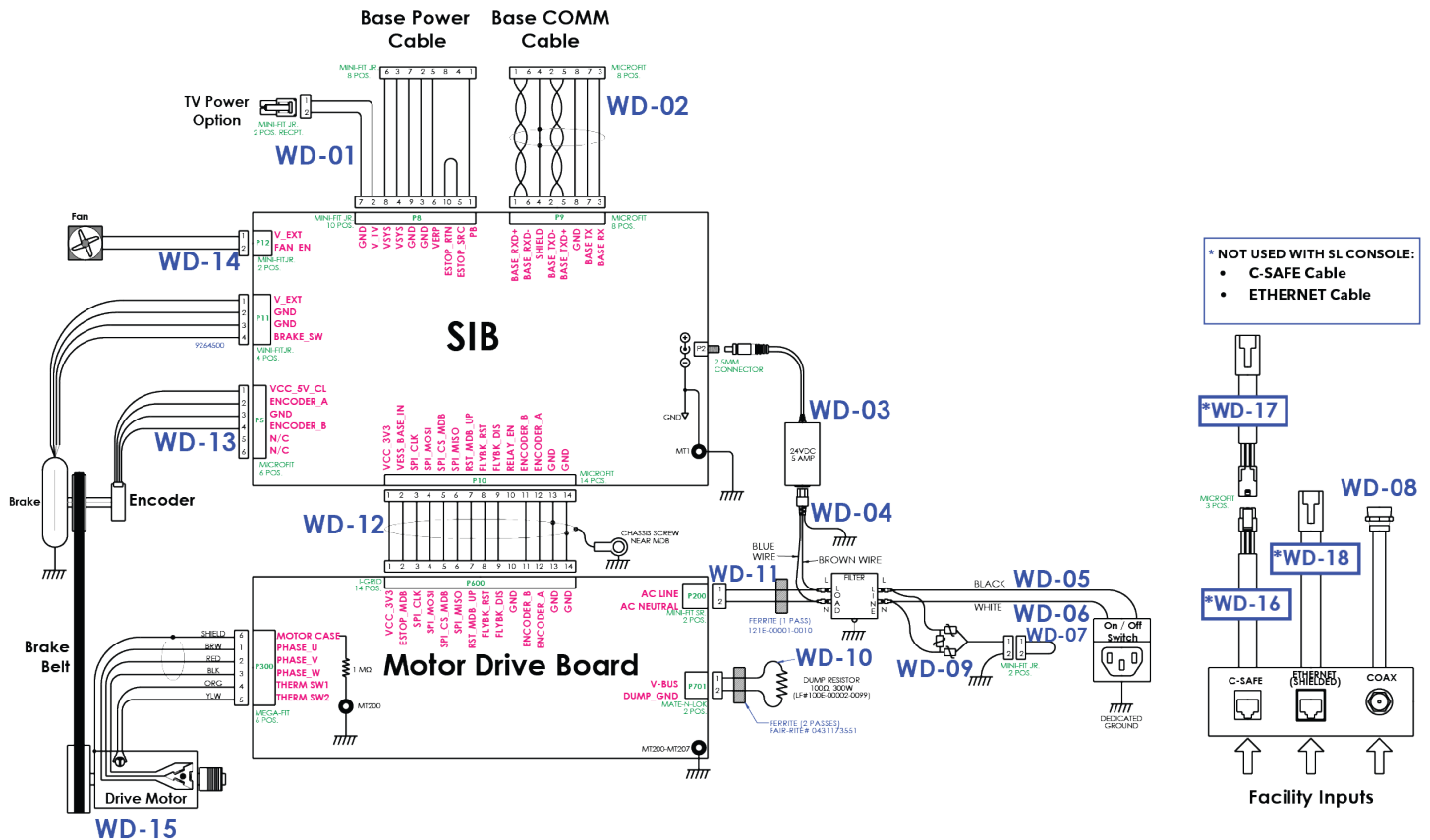
Parts List

Item	Alpha Code	Part Number	Description (Quantity)
SS-001	PMB, PMP	9258000	8MM CRIMP STYLE RETAINING RING (32)
SS-002	PMB, PMP	9258100	WSHR: 8MM ID X 15MM OD (48)
SS-003	PMB, PMP	9258400	BEARING: STEP SHAFTS (16)
SS-004	PMB, PMP	9258300	SPACER: STEP CHAIN (16)
SS-005*	PMB, PMP	9257700	STEP: TREAD (8)
SS-006*	PMB, PMP	9257800	STEP: RISER (8)
SS-007	PMB, PMP	9587300	SHAFT: STEP FRONT (8)
SS-008	PMB, PMP	9587400	SHAFT; STEP REAR (8)
SS-009**	PMB, PMP	9258500	MAIN CHAIN (2)

* When replacing a step it may be necessary to order replacement front and rear step shafts.

** When replacing the MAIN CHAIN it may be necessary to order replacement crimped retaining rings.

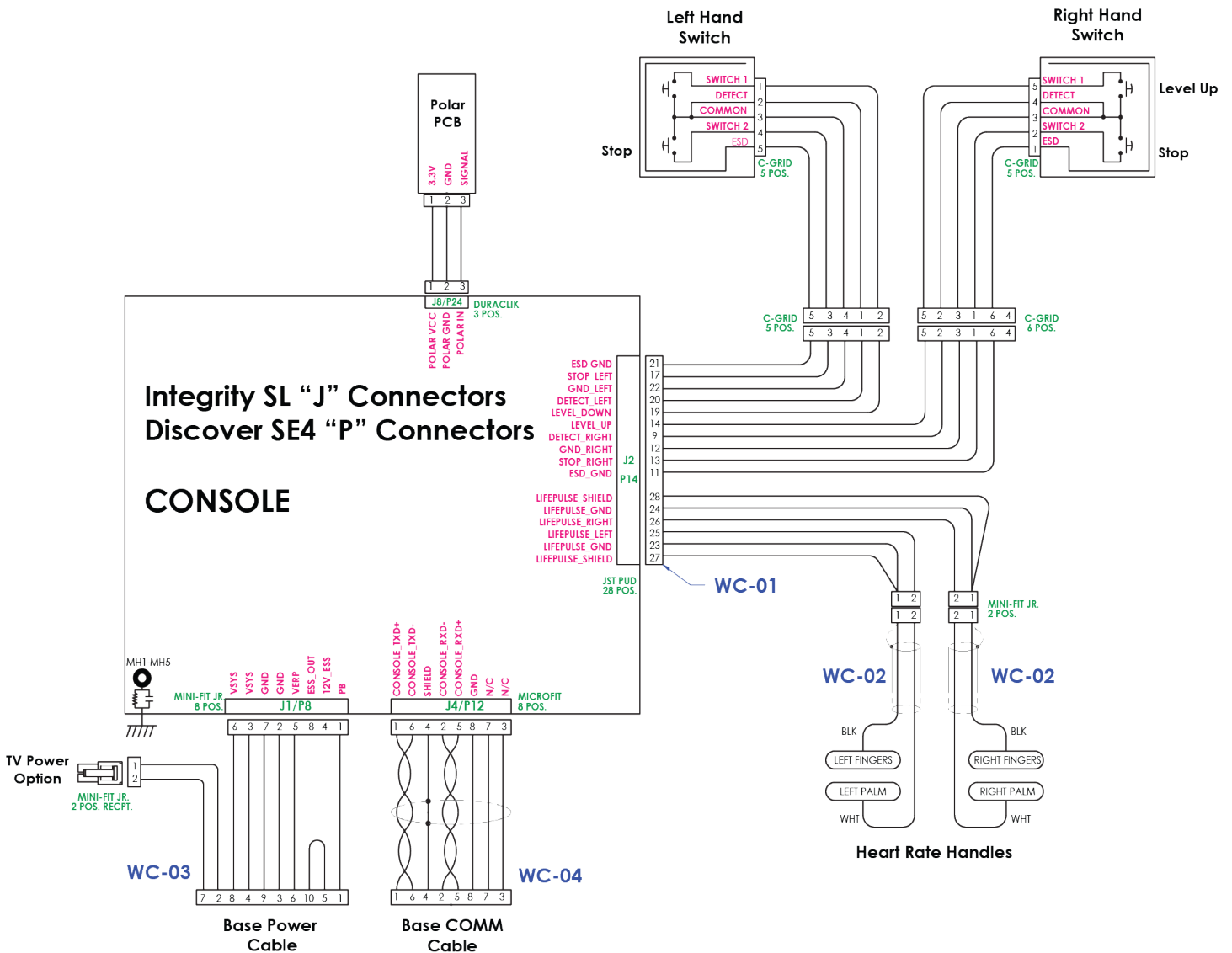
Wiring Diagram - Base



Parts List

Item	Alpha Code	Part Number	Description (Quantity)
WD-01	PMB, PMP	1015801-0000	CABLE: MCFLY POWERMILL, CONSOLE TO BASE, POWER
WD-02	PMB, PMP	1006544-0001	CBL ASSY; CONSOLE TO BASE, SIGNAL
WD-03	PMB, PMP	1011106-0001	POWER SUPPLY: 24VDC, 5A
WD-04	PMB, PMP	1006546-0001	CBL ASSY: LINE FILTER TO POWER SUPPLY
WD-05	PMB, PMP	1006543-0001	CBL ASSY: AC SWITCH TO FILTER, WHT
WD-06	PMB, PMP	1006542-0001	CBL ASSY: AC SWITCH TO FILTER BLK
WD-07	PMB, PMP	9263600	CBL ASSY: HI-POT JUMPER
WD-08	PMB, PMP	9264800	CBL ASSY: COAX
WD-09	PMB, PMP	9263500	CBL ASSY: MOV; FILTER
WD-10	PMB, PMP	1007706-0001	ASSY: CBL RESISTOR
WD-11	PMB, PMP	1006549-0001	CBL ASSY: FILTER - MDB
WD-12	PMB, PMP	1006548-0001	CBL ASSY: SIB -MDB
WD-13	PMB, PMP	9264100	CBL ASSY: ENCODER
WD-14	PMB, PMP	9264300	CBL ASSY: FAN 1
WD-15	PMB, PMP	1002167-0000	MOTOR: AC, 4HP, INDUCTION
WD-16	PMB, PMP	9264700	CBL ASSY: C-SAFE
WD-17-	PMB, PMP	9265800	CBL ASSY, C-SAFE EXTENSION
WD-18	PMB, PMP	9264600	CBL ASSY: ETHERNET

Wiring Diagram - Console - SL/ SE4



Parts List

Item	Alpha Code	Part Number	Description (Quantity)
WC-01	PMB, PMP	1014639-0000	CABLE: MCFLY POWERMILL, BASE INTERFACE
WC-02	PMB, PMP	9265500	CBL ASSY: LIFEPUULSE, HANDLES
WC-03	PMB, PMP	1015801-0000	CABLE: MCFLY POWERMILL, CONSOLE TO BASE, POWER
WC-04	PMB, PMP	1006544-0001	CBL ASSY; CONSOLE TO BASE, SIGNAL

Consoles

See related Console Parts Manual for Console Parts List

SL



Discover SE4

